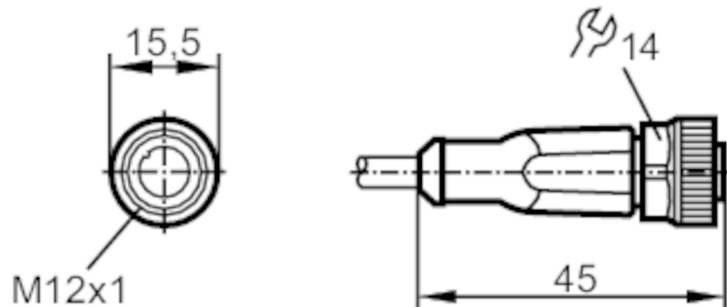


# EVC540



## Connecting cable with socket

ADOGH040MSS0010K04



Application		
Free from silicone	yes	
Electrical data		
Operating voltage [V]	< 50 AC / < 60 DC	
Protection class	III	
Max. current load total [A]	4	
Operating conditions		
Ambient temperature [°C]	-25...90	
Note on ambient temperature	cULus: ...75	
Ambient temperature (moving) [°C]	-25...90	
Note on ambient temperature (moving)	cULus: ...75	
Protection	IP 65; IP 67	
Mechanical data		
Weight [g]	404.5	
Dimensions [mm]	15.5 x 15.5 x 45	
Materials	housing: TPU orange; Sealing: FKM	
Material nut	brass, nickel-plated	
Drag chain suitability	yes	
Drag chain suitability	bending radius for flexible use	min. 10 x cable diameter
	travel speed	max. 3.3 m/s for a horizontal travel length of 5 m and max. acceleration of 5 m/s <sup>2</sup>
	bending cycles	≥ 2 Mio.
	torsional strain	± 180 °/m

# EVC540



## Connecting cable with socket

ADOGH040MSS0010K04

### Remarks

Pack quantity

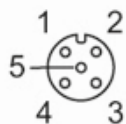
1 pcs.

### Electrical connection

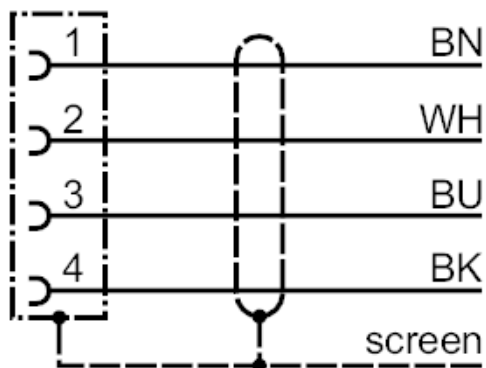
Cable: 10 m, PUR, Halogen-free, black, Ø 4.9 mm, shielded; 4 x 0.34 mm<sup>2</sup> (42 x Ø 0.1 mm )

### Electrical connection - socket

Connector: 1 x M12, straight; Locking: brass, nickel-plated; Contacts: gold-plated; Tightening torque: 0.6...1.5 Nm; Shielded connection cable: screen connected



### Connection



Core colours :

BK = black  
BN = brown  
BU = blue  
WH = white

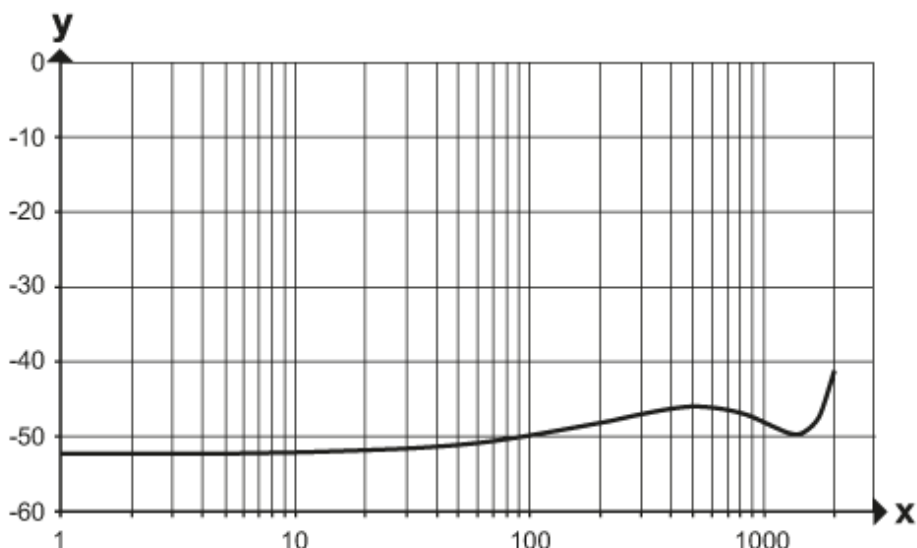


## Connecting cable with socket

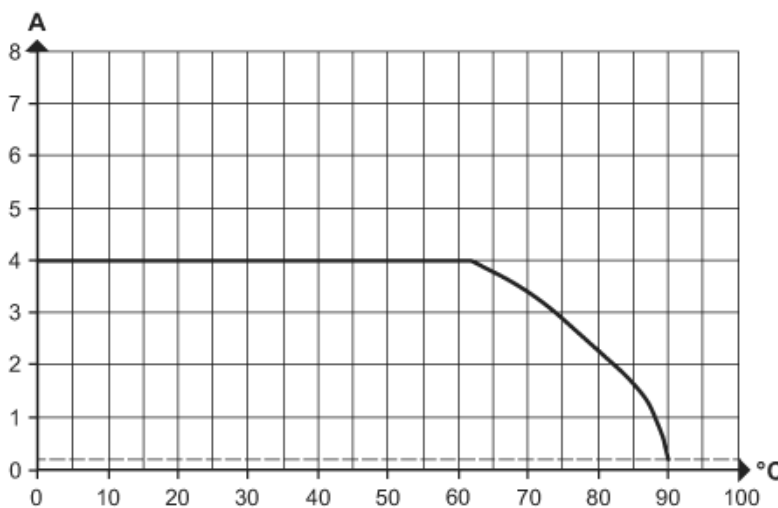
ADOGH040MSS0010K04

### Diagrams and graphs

#### Shielding characteristics



x Frequency (MHz)  
 y Shielding characteristics (dB)  
 according to DIN EN 60512-23-3



Derating  $I_{max} * 0.8$  DIN EN 60512-5-2

X Ambient temperature [°C]  
 Y Current [A]