

E89150



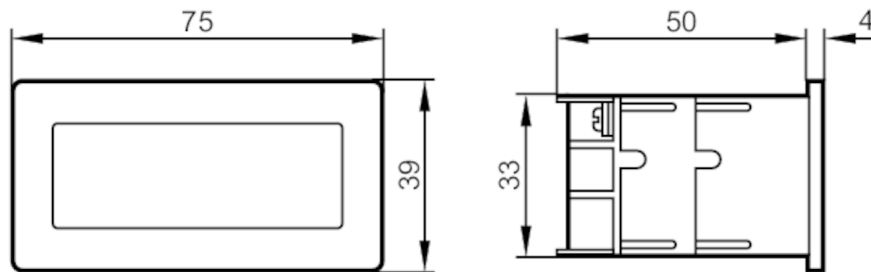
LC display

LC-DISPLAY

phase-out article

Alternative articles: DX1041

When selecting an alternative article and accessories please note that technical data may differ!



panel cutout 68 x 33 mm to DIN



Product characteristics

Housing	housing for panel mounting
Dimensions [mm]	39 x 75 x 54

Application

Application	scalable display for sensors with analogue output
-------------	---

Inputs / outputs

Number of inputs and outputs	Number of analogue inputs: 1
------------------------------	------------------------------

Inputs

Number of analogue inputs	1
Analogue input (voltage) [V]	10...50

Operating conditions

Ambient temperature [°C]	0...60
Protection	IP 65; (mounted with washer)

Mechanical data

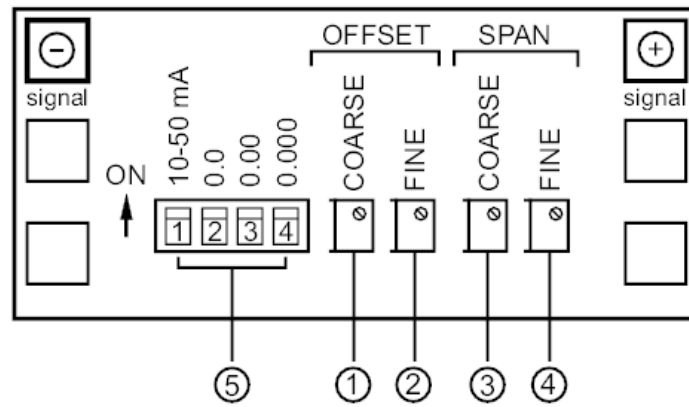
Weight [g]	120
Housing	housing for panel mounting
Dimensions [mm]	39 x 75 x 54
Materials	plastics



Electrical connection

terminals: ...2.5 mm²

Connection



- 1 potentiometer
- 2 zero point adjustment coarse
- 3 zero point adjustment fine
- 4 Display range coarse
- 5 Display range fine
- 6 DIP switch
- 7 decimal point , input 10...50mA