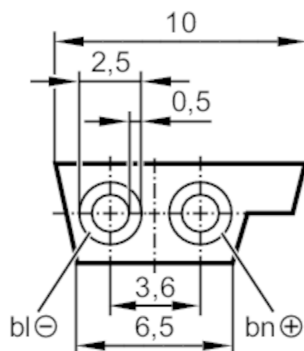


# E74010



## AS-Interface flat cable

Flat cable 100 meter EPDM bk



### Application

Special feature	Halogen-free
Design	for use of insulation displacement technology
Application	external 24 V power supply

### Electrical data

Operating voltage	[V]	< 24 DC
-------------------	-----	---------

### Operating conditions

Ambient temperature	[°C]	-40...85
Protection		IP 67

### Mechanical data

Weight	[g]	7104
--------	-----	------

### Remarks

Remarks	100 m form supplied: coiled
Pack quantity	100 m

### Electrical connection

Cable: 100 m, EPDM, Halogen-free, black; 2 x 1.5 mm<sup>2</sup>