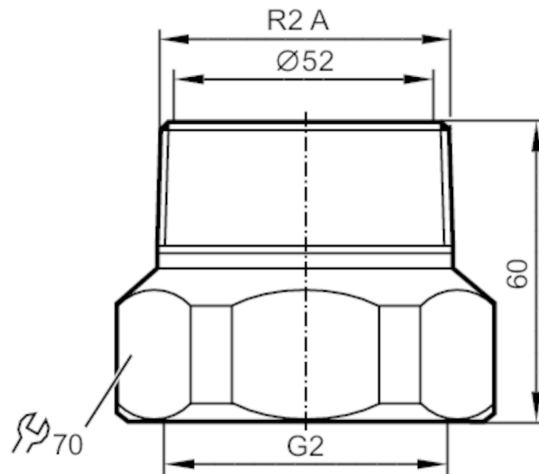


# E40231



## Mounting adapter for flow sensors

ADAPT /SM/1/G2 - R2



Application	
Design	for flow sensors Typ SM2, SM9
Pressure rating [bar]	16
Tests / approvals	
Pressure Equipment Directive	A possible classification to PED depends on the application and has to be carried out by the user / operator.
Pressure Equipment Directive EAC	The adapter is intended for use in devices, machines and installations that do not fall under the categories of the technical rule TR CU 032/2013.
Safety instructions	The compatibility between medium and product material has to be checked in all applications.
Mechanical data	
Weight [g]	1336
Materials	Adapter: stainless steel (1.4571/316Ti); O-ring: FKM 47,22 x 3,53 mm
Sensor connection	G 2
Process connection	threaded connection R 2 external thread
Accessories	
Items supplied	O-rings: 2
Remarks	
Pack quantity	2 pcs.