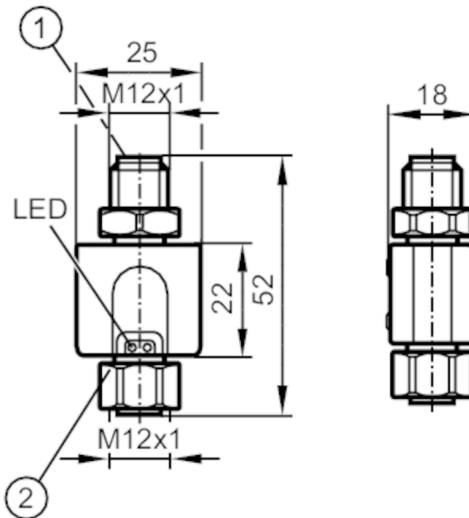


E30398



IO-Link memory plug

MEMORY PLUG



- 1 connection for voltage supply and output signals
 2 connection for temperature sensor



Electrical data

Operating voltage	[V]	18...32 DC
Current consumption	[mA]	< 35
Min. insulation resistance	[MΩ]	100; (500 V DC)
Protection class		III
Reverse polarity protection		yes

Outputs

Output signal		IO-Link
Electrical design		PNP
Max. voltage drop switching output DC	[V]	0.5
Permanent current rating of switching output DC	[mA]	500; (briefly: 2 A / 50 ms)
Type of short-circuit protection		depending on the connected sensor

Interfaces

Communication interface		IO-Link
IO-Link Device		
Transmission type		COM2 (38,4 kBaud)
IO-Link revision		1.1
Profiles		no profile
SIO mode		no
Required master port type		A
Min. process cycle time	[ms]	2.5

E30398



IO-Link memory plug

MEMORY PLUG

IO-Link Master	
Transmission type	COM1 (4,8 kBaud); COM2 (38,4 kBaud)
IO-Link revision	1.1
SDCI standard	IEC 61131-9 (Draft)
Number of ports class A	1

Operating conditions	
Ambient temperature [°C]	-25...60
Storage temperature [°C]	-40...85
Protection	IP 65; IP 67

Tests / approvals		
EMC	EN 61000-6-2	
Shock resistance	DIN IEC 68-2-27	50 g 11 ms
Vibration resistance	DIN IEC 68-2-6	20 g (10...2000 Hz)
MTTF [years]	655.69	

Mechanical data	
Weight [g]	116.5
Dimensions [mm]	M12 x 1
Thread designation	M12 x 1
Materials	PA PACM 12 (TROGAMID); PET
Sealing material	FKM

Displays / operating elements		
Display	operation	2 x LED, green

Remarks	
Remarks	only for positive switching sensors
	The memory plug acts as master if it is connected with a sensor.
	The memory plug acts as device if it is used with the service program.
	operating voltage "supply class 2" according to cULus
Pack quantity	1 pcs.

Electrical connection

Connector: 1 x M12; Moulded body: TPU; Locking: stainless steel (1.4404 / 316L); Sealing: FKM

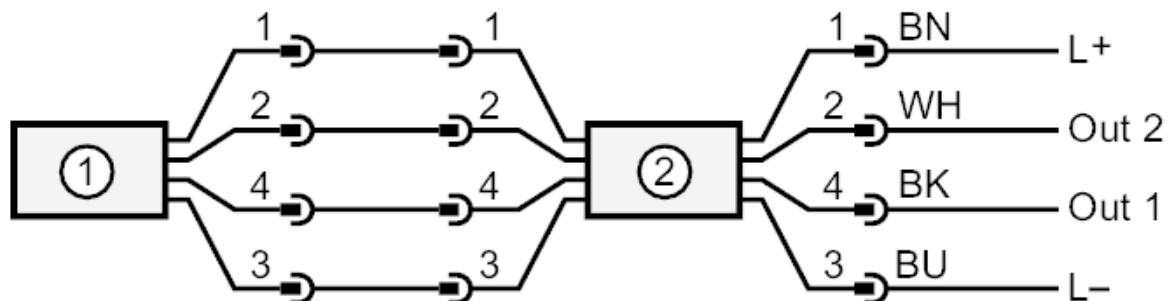




IO-Link memory plug

MEMORY PLUG

Connection



- 1: sensor
- 2: memory plug