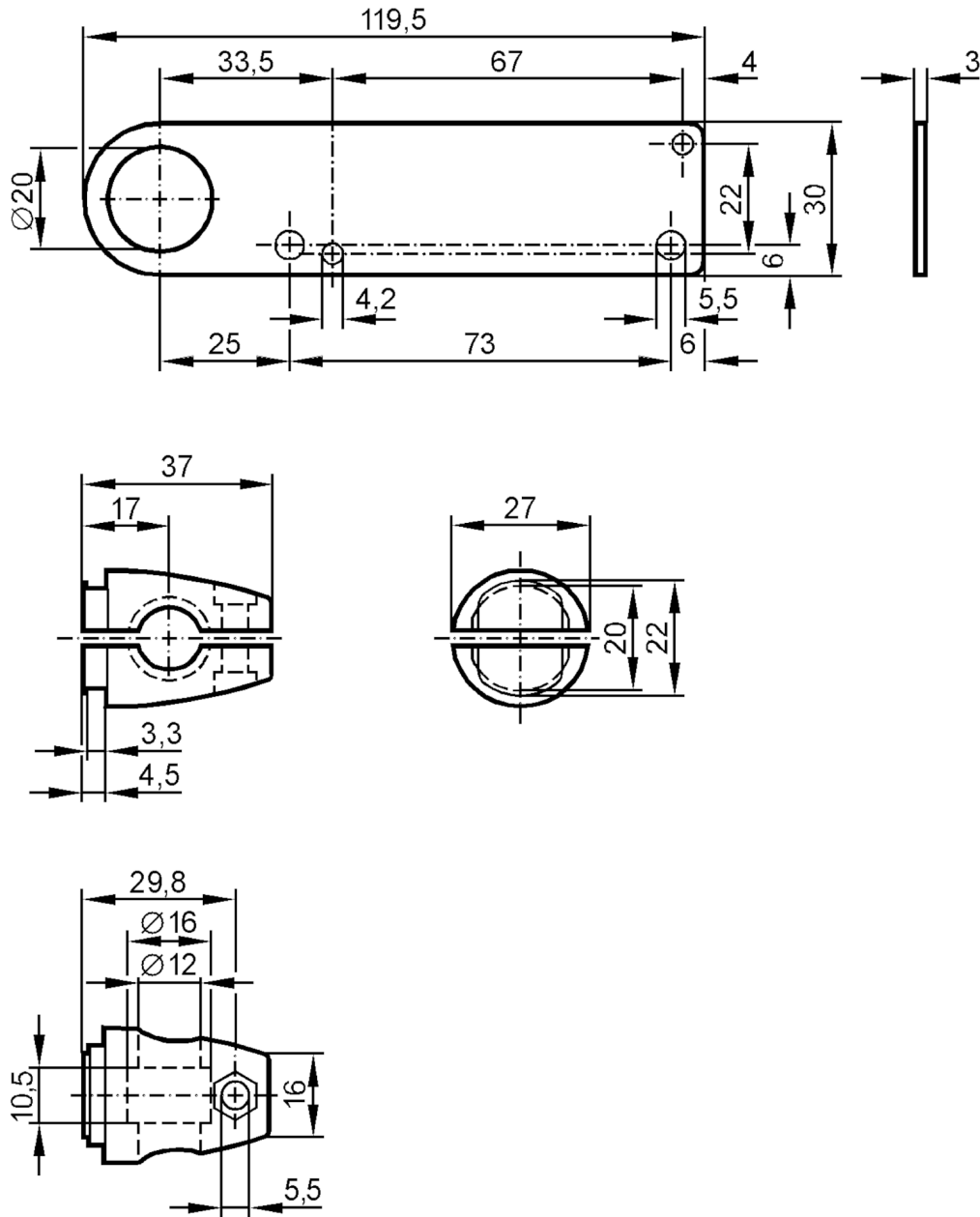




Mounting set for photoelectric sensors

SYSTEM COMPONENT OT BOLT

Article no longer available - archive entry



Application	
Design	clamp mounting
Mechanical data	
Weight	[g] 0.245
Type of mounting	free-standing; (M10)
Materials	fixture: stainless steel (1.4571/316Ti); Clamp: stainless steel (1.4408)
Accessories	
Accessories (supplied)	head cap screw: 1 x M10 x 55
Remarks	
Pack quantity	1 pcs.

# E20889



## Mounting set for photoelectric sensors

SYSTEM COMPONENT OT BOLT

Article no longer available - archive entry

---