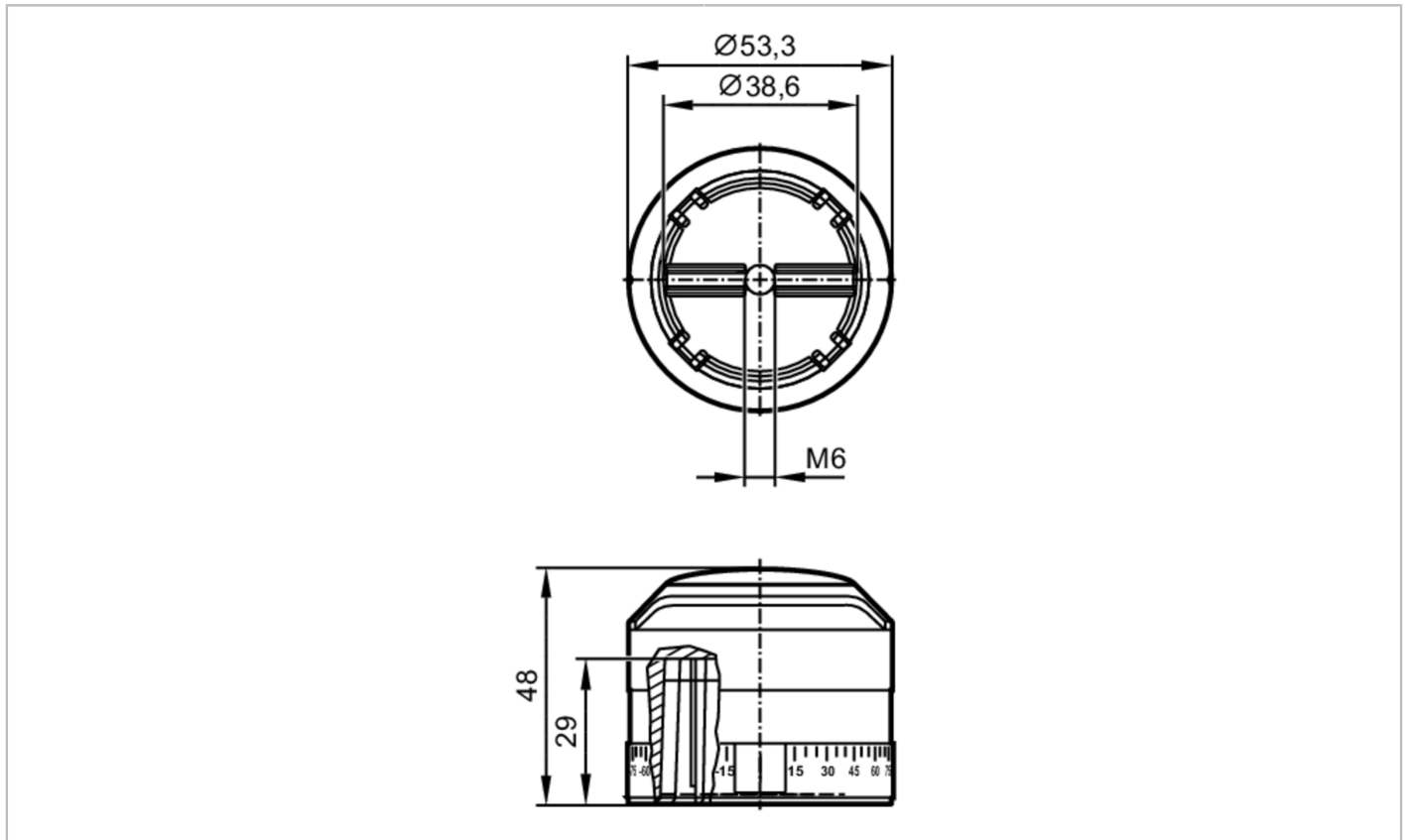


E12516



Target pucks for valve actuators

PUCK 53MM ADJUSTABLE



Application

Design	for mechanical interfaces to pneumatic actuators or manually-operated valves VDI / VDE 3845, ISO 5211 / DIN 3337
--------	--

Mechanical data

Weight	[g]	58
Target puck diameter	[mm]	53
Hole spacing	[mm]	80
Shaft height of valve drive	[mm]	30
Materials	target puck: PA 6 black; metal parts: stainless steel	
Tightening torque	[Nm]	2.5...3

Accessories

Items supplied	half-round head screw: 1 x M6 x 16, stainless steel EN ISO 7380-2:2011
----------------	--

Remarks

Pack quantity	1 pcs.
---------------	--------