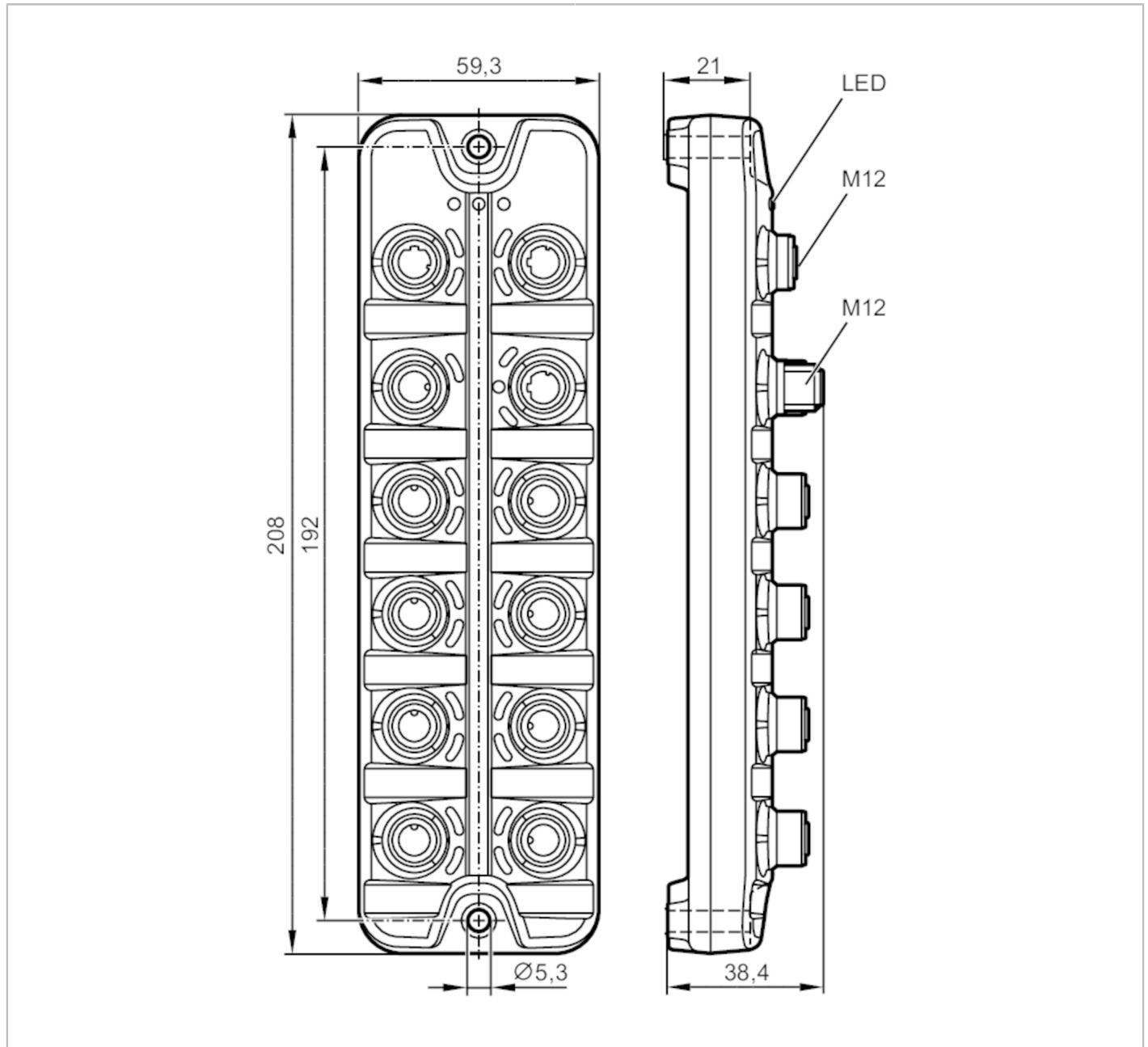


# AL1332



## IO-Link master with EtherCAT interface

IO-Link Master DL EC 8P IP67



Application	
Application	I/O modules for field applications
Daisy-chain function	fieldbus interface
Electrical data	
Operating voltage [V]	20...30 DC; (US; to SELV/PELV)
Current consumption [mA]	300...3900; (US)
Protection class	III
Sensor supply US	
Max. current load total [A]	3.6



## IO-Link master with EtherCAT interface

IO-Link Master DL EC 8P IP67

Inputs / outputs	
Total number of inputs and outputs	16; (configurable)
Number of inputs and outputs	Number of digital inputs: 16; Number of digital outputs: 8
Inputs	
Number of digital inputs	16; (IO-Link Port Class A: 8 x 2)
Switching level high [V]	11...30
Switching level low [V]	0...5
Digital inputs protected against short circuits	yes
Outputs	
Number of digital outputs	8; (IO-Link Port Class A: 8 x 1)
Max. current load per output [mA]	300
Short-circuit proof	yes
Interfaces	
Communication interface	Ethernet; IO-Link
Ethernet - EtherCAT	
Transmission standard	10Base-T; 100Base-TX
Transmission rate	10; 100
Protocol	EtherCAT
Factory settings	MAC address: see type label
Note on interfaces	AoE (ADS over EtherCAT)
	CoE (CANopen over EtherCAT)
Ethernet - Internet of Things	
Transmission standard	10Base-T; 100Base-TX
Transmission rate	10; 100
Protocol	MQTT JSON
Factory settings	IP address: 169.254.x.x
	subnet mask: 255.255.0.0
	gateway IP address: 0.0.0.0
	MAC address: see type label
Note on interfaces	Secure protocol: HTTPS
IO-Link Master	
Transmission type	COM1 (4,8 kBaud); COM2 (38,4 kBaud); COM3 (230,4 kBaud)
IO-Link revision	1.1
Number of ports class A	8
Operating conditions	
Ambient temperature [°C]	-25...60
Storage temperature [°C]	-25...85
Max. relative air humidity [%]	90
Protection	IP 65; IP 66; IP 67
Degree of soiling	2



## IO-Link master with EtherCAT interface

IO-Link Master DL EC 8P IP67

Tests / approvals		
EMC		EN 61000-6-2
		EN 61000-6-4
Shock resistance		DIN EN 60068-2-27
Vibration resistance		DIN EN 60068-2-64 2009-04
		DIN EN 60068-2-6 2008-10
MTTF	[years]	78

Mechanical data		
Weight	[g]	404
Materials		housing: PA; socket: brass nickel-plated
Sealing material		FKM

Remarks		
Remarks		For further information please see the operating instructions.
Pack quantity		1 pcs.

### Electrical connection - Ethernet

Connector: M12; Sealing: FKM



### EtherCAT X21, X22

1	TX +
2	RX +
3	TX -
4	RX -
5	not used

### IoT X23

1	TX +
2	RX +
3	TX -
4	RX -
5	not used

### Electrical connection - Process connection

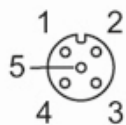
Connector: M12; Sealing: FKM

# AL1332



## IO-Link master with EtherCAT interface

IO-Link Master DL EC 8P IP67



### IO-Link Port Class A X01...X08

1	Sensor supply (US) L+
2	digital input
3	Sensor supply (US) L-
4	C/Q IO-Link
5	not used

### Electrical connection - voltage supply

Connector: M12



### X31

1	+ 24 V DC (US)
2	not used
3	GND (US)
4	not used