

# RV1056

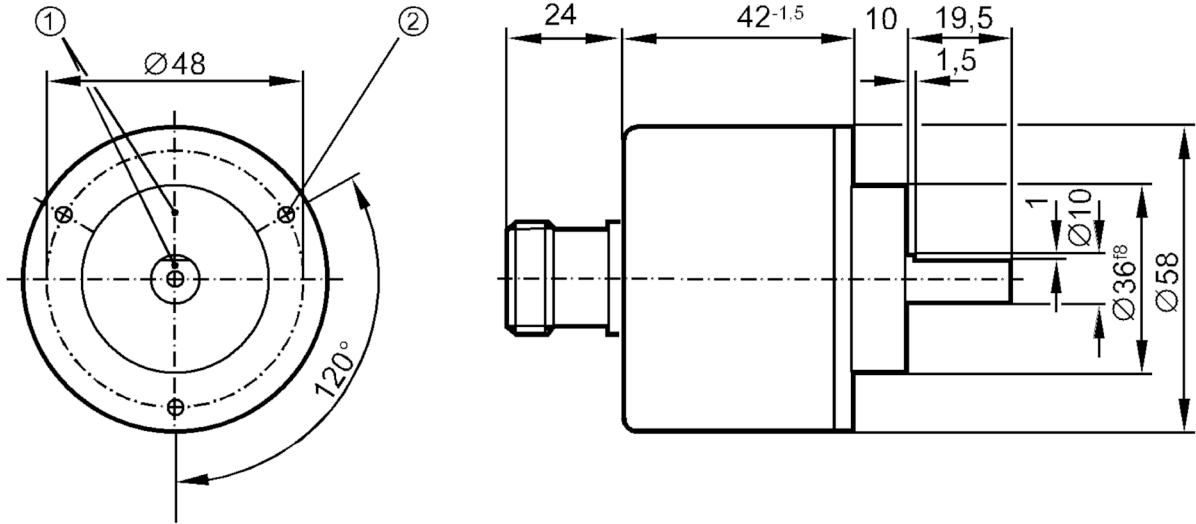


## Incremental encoder with solid shaft

RV-0512-105/J

Article no longer available - archive entry

Alternative article: RV1017 + E60141 When selecting an alternative article and accessories please note that technical data may differ! – When selecting an alternative article and accessories please note that technical data may differ!



- 1 reference mark
- 2 M3 Depth 5 mm



### Product characteristics

Resolution	512 resolution
Shaft design	solid shaft
Shaft diameter [mm]	10

### Electrical data

Operating voltage tolerance [%]	10
Operating voltage [V]	5 DC
Current consumption [mA]	150

### Outputs

Electrical design	TTL
Max. current load per output [mA]	20
Switching frequency [kHz]	300
Phase difference A and B [°]	90

### Measuring/setting range

Resolution	512 resolution
------------	----------------

# RV1056



## Incremental encoder with solid shaft

RV-0512-105/J

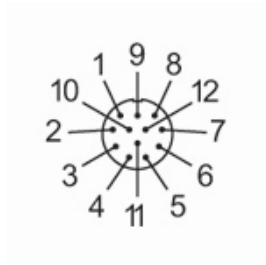
Operating conditions		
Ambient temperature	[°C]	-30...100
Note on ambient temperature		for firmly laid cable: -30 °C
Storage temperature	[°C]	-30...100
Max. relative air humidity	[%]	98
Protection		IP 64
Tests / approvals		
Shock resistance		100 g (6 ms)
Vibration resistance		15 g (55...2000 Hz)
Mechanical data		
Dimensions	[mm]	Ø 58 / L = 95.5
Materials		aluminium
Max. revolution, mechanical	[U/min]	12000
Max. starting torque	[Nm]	1
Reference temperature torque	[°C]	20
Shaft design		solid shaft
Shaft diameter	[mm]	10
Shaft material		steel (1.4104)
Max. shaft load axial (at the shaft end)	[N]	10
Max. shaft load radial (at the shaft end)	[N]	20
Electrical connection		
1	B inverted	
2	L+ sensor	
3	0 index	
4	0 index inverted	
5	A	
6	A inverted	
screen	housing	
7	failure inverted	
8	B	
9	n.c.	
10	0V (Un)	
11	0V sensor	
12	L+	
Connector: 1 x M23 (ifm 1001.4), axial		

# RV1056



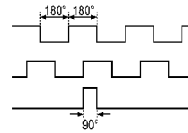
## Incremental encoder with solid shaft

RV-0512-105/J



### Diagrams and graphs

Pulse diagram



Output A

Output B

0 index

Article no longer available - archive entry

Alternative article: RV1017 + E60141 When selecting an alternative article and accessories please note that technical data may differ! – When selecting an alternative article and accessories please note that technical data may differ!