

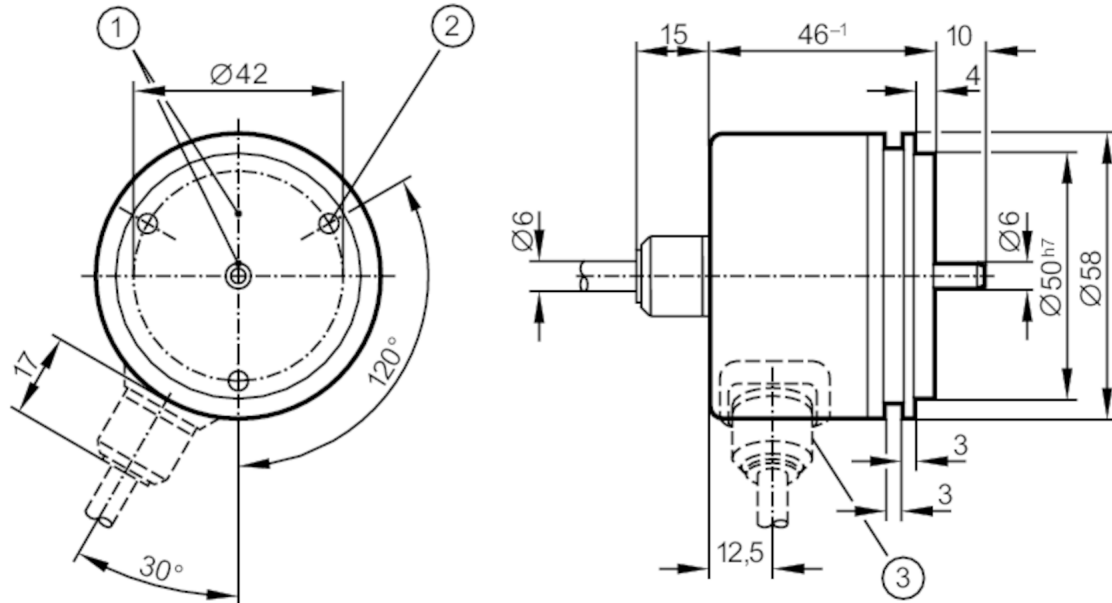
RU6035



Incremental encoder with solid shaft

RU-2080-I24/L2

Article no longer available - archive entry



- 1 reference mark
- 2 M4 Depth 5 mm



Product characteristics

| | |
|---------------------|-----------------|
| Resolution | 2080 resolution |
| Shaft design | solid shaft |
| Shaft diameter [mm] | 6 |

Electrical data

| | |
|--------------------------|------------|
| Operating voltage [V] | 10...30 DC |
| Current consumption [mA] | 150 |

Outputs

| | |
|-----------------------------------|--------|
| Electrical design | HTL |
| Max. current load per output [mA] | 50 |
| Switching frequency [kHz] | 300 |
| Type of short-circuit protection | < 60 s |
| Phase difference A and B [°] | 90 |

Measuring/setting range

| | |
|------------|-----------------|
| Resolution | 2080 resolution |
|------------|-----------------|

Operating conditions

| | |
|--------------------------------|-------------------------------|
| Ambient temperature [°C] | -30...85 |
| Note on ambient temperature | for firmly laid cable: -30 °C |
| Storage temperature [°C] | -30...100 |
| Max. relative air humidity [%] | 98 |
| Protection | IP 64 |

RU6035



Incremental encoder with solid shaft

RU-2080-I24/L2

| Tests / approvals | | |
|---|--|---------------------|
| Shock resistance | | 100 g (6 ms) |
| Vibration resistance | | 10 g (55...2000 Hz) |
| Mechanical data | | |
| Dimensions [mm] | | Ø 58 / L = 46 |
| Materials | | aluminium |
| Max. revolution, mechanical [U/min] | | 12000 |
| Max. starting torque [Nm] | | 1 |
| Reference temperature torque [°C] | | 20 |
| Shaft design | | solid shaft |
| Shaft diameter [mm] | | 6 |
| Shaft material | | steel (1.4104) |
| Max. shaft load axial (at the shaft end) [N] | | 10 |
| Max. shaft load radial (at the shaft end) [N] | | 20 |
| Fixing flange | | synchro-flange |

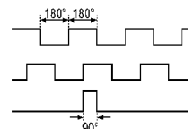
Electrical connection

Cable: 2 m, PUR; axial

| | |
|-------------|------------------|
| brown | A |
| green | A inverted |
| grey | B |
| pink | B inverted |
| red | 0 index |
| black | 0 index inverted |
| blue | L+ sensor |
| white | 0V sensor |
| brown/green | L+ (Up) |
| white/green | 0V (Un) |
| lilac | failure inverted |
| screen | housing |

Diagrams and graphs

Pulse diagram



Output A

Output B

0 index

Article no longer available - archive entry