

PB5222

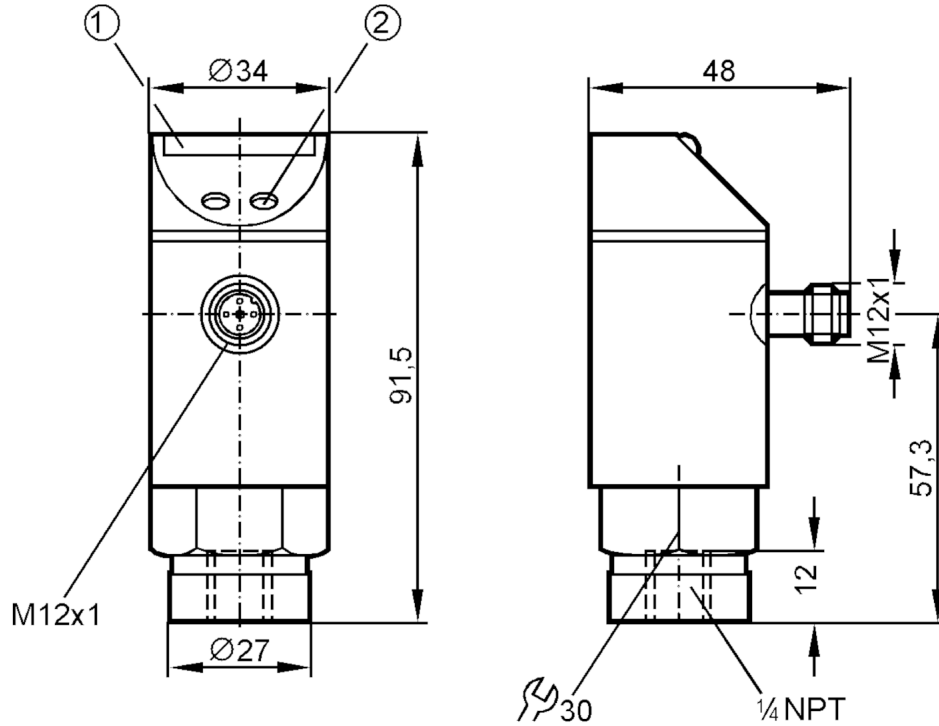


Pressure sensor with LED bar display

PB-100PSBN14-HFPKG/US/ IV

Article no longer available - archive entry

replaced by: PN5202



- 1 LED bar display
- 2 programming button



Product characteristics

Output signal	switching signal
Measuring range [psi]	0...1000
Process connection	threaded connection 1/4 NPT external thread

Application

Special feature	Gold-plated contacts
Application	for industrial applications
Media	liquids and gases
Conditionally suitable for	For gaseous media the application is limited to max. 25 bar.
Medium temperature [°C]	-25...80
Pressure rating [psi]	4500
Min. bursting pressure [psi]	9000
Type of pressure	relative pressure



Pressure sensor with LED bar display

PB-100PSBN14-HFPKG/US/ IV

Electrical data		
Operating voltage	[V]	18...30 DC
Current consumption	[mA]	< 50
Min. insulation resistance	[MΩ]	100; (500 V DC)
Protection class		III
Reverse polarity protection		yes
Power-on delay time	[s]	0.2
Integrated watchdog		yes
Inputs / outputs		
Number of inputs and outputs		Number of digital outputs: 1
Outputs		
Total number of outputs		1
Output signal		switching signal
Electrical design		PNP
Number of digital outputs		1
Output function		normally open / normally closed; (parameterisable)
Max. voltage drop switching output DC	[V]	2
Permanent current rating of switching output DC	[mA]	250
Switching frequency DC	[Hz]	10
Short-circuit protection		yes
Type of short-circuit protection		pulsed
Overload protection		yes
Measuring/setting range		
Measuring range	[psi]	0...1000
Set point SP	[psi]	50...1000
Reset point rP	[psi]	30...980
In steps of	[psi]	10
Note on hysteresis		adjustable
Accuracy / deviations		
Switch point accuracy		< ± 2,0
	[% of the final value]	
Repeatability		< ± 0,25; (with temperature fluctuations < 10 K)
	[% of the final value]	
Temperature drift per 10 K		< ± 0.3
Software / programming		
Adjustment of the switch point		programming button
Operating conditions		
Ambient temperature	[°C]	-25...80
Storage temperature	[°C]	-40...100
Protection		IP 65

PB5222



Pressure sensor with LED bar display

PB-100PSBN14-HFPKG/US/ IV

Tests / approvals

EMC	EN 61000-4-2 ESD	4 kV CD / 8 kV AD
	EN 61000-4-3 HF radiated	10 V/m
	EN 61000-4-4 Burst	2 kV
	EN 61000-4-6 HF conducted	10 V
Shock resistance	DIN IEC 68-2-27	50 g (11 ms)
Vibration resistance	DIN IEC 68-2-6	20 g (10...2000 Hz)

Mechanical data

Materials	EPDM/X; FKM; NBR; PA; PBT; PC; PTFE; stainless steel (1.4301 / 304)
Materials (wetted parts)	FKM; ceramics; stainless steel (1.4305 / 303)
Min. pressure cycles	100 million
Process connection	threaded connection 1/4 NPT external thread

Displays / operating elements

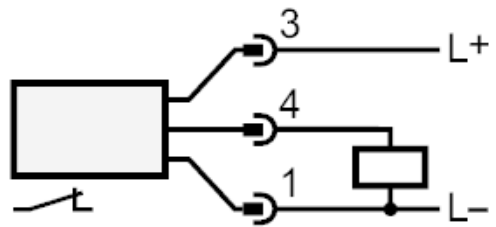
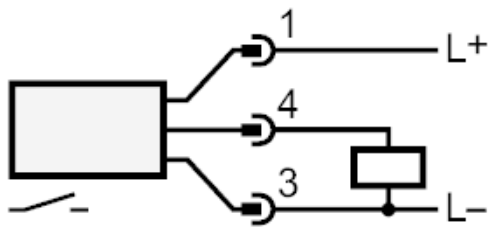
Display	switching status	LED, yellow
	measured values	10 x LED, green Resolution 10 % of the final value

Remarks

Pack quantity	1 pcs.
---------------	--------

Electrical connection

Connector: 1 x M12; Contacts: gold-plated



Article no longer available - archive entry

replaced by: PN5202