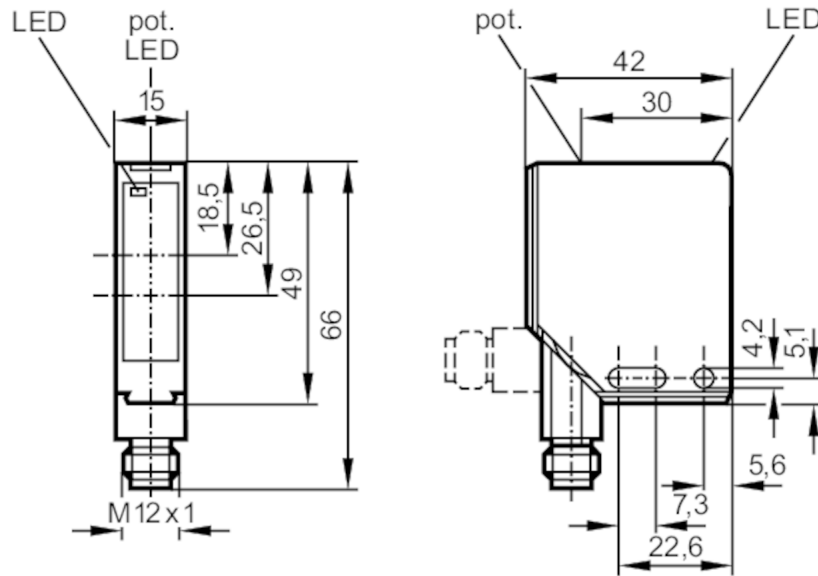




## Diffuse reflection sensor

OCH-ASI/US-100

Article no longer available - archive entry



receiver in upper lens  
transmitter in lower lens

### Product characteristics

Type of light	red light
Housing	rectangular
Dimensions [mm]	49 x 15 x 42

### Application

Special feature	Background suppression
Function principle	Diffuse reflection sensor

### Electrical data

Operating voltage [V]	26.5...31.6 DC
Current consumption [mA]	< 35
Protection class	II
Reverse polarity protection	yes
Overtoltage protection	yes
Type of light	red light
Wave length [nm]	660

### Outputs

Electrical design	AS-i
Output function	light-on/dark-on mode; (parameterisable)
Switching frequency DC [Hz]	1500



## Diffuse reflection sensor

OCH-ASI/US-100

Detection zone		
Range	[mm]	20...250
Range adjustable		yes
Max. light spot diameter	[mm]	12.5
Light spot dimensions refer to		at maximum range
Background suppression available		yes

Operating conditions		
Ambient temperature	[°C]	-25...60
Protection		IP 67

Tests / approvals		
EMC		EN 60947-5-2

AS-i classification		
AS-i I/O configuration	[hex]	1
AS-i ID code	[hex]	1

Mechanical data		
Housing		rectangular
Dimensions	[mm]	49 x 15 x 42
Materials		diecast zinc
Lens material		PMMA

Displays / operating elements		
Display	switching status	1 x LED, yellow
	function	1 x LED, yellow flashing light

Accessories		
Accessories (supplied)		screwdrivers

Remarks		
Pack quantity		1 pcs.

### Electrical connection

Connector: 1 x M12

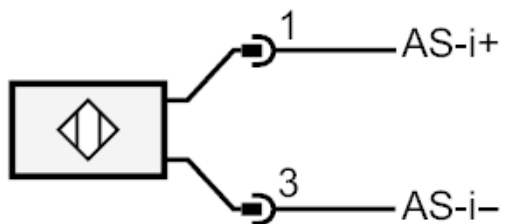




## Diffuse reflection sensor

OCH-ASI/US-100

### Connection



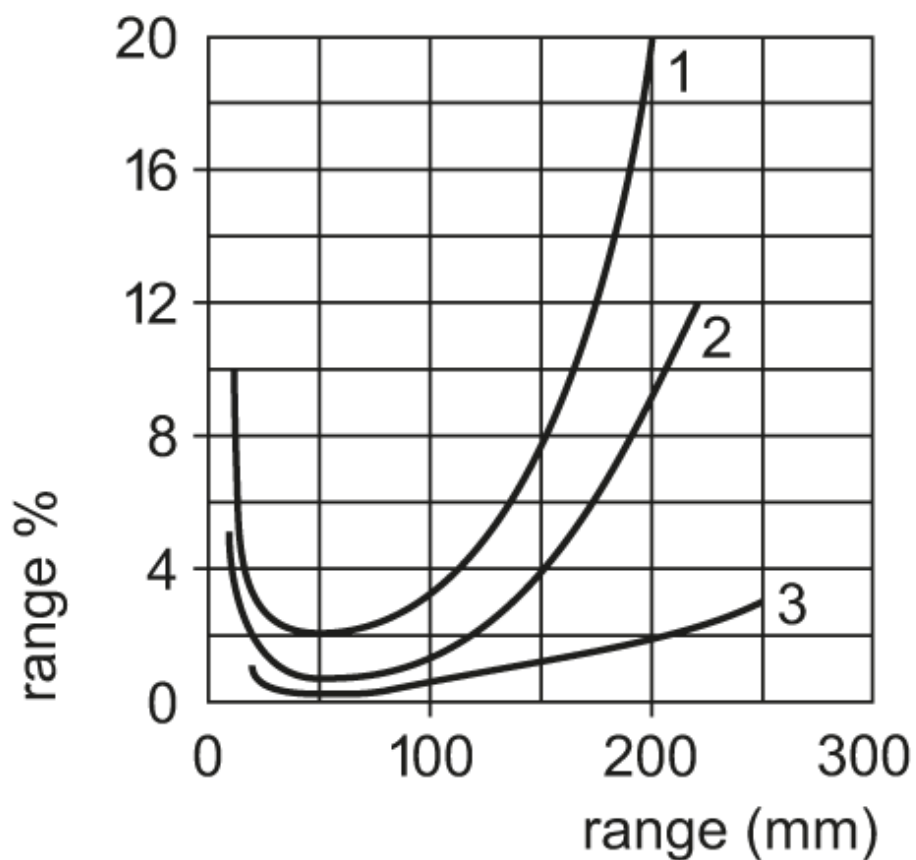


## Diffuse reflection sensor

OCH-ASI/US-100

## Diagrams and graphs

accuracy graph



x: distance sensor/object [mm]

y: min. distance object/background [mm]

1 = object black (6 % remission) , background (white 90 % remission)

2 = object grey (18 % remission) , background (white 90 % remission)

3 = object white (90 % remission) , background (white 90 % remission)

Note : range % = setting in % of the range

Article no longer available - archive entry