

IM5107

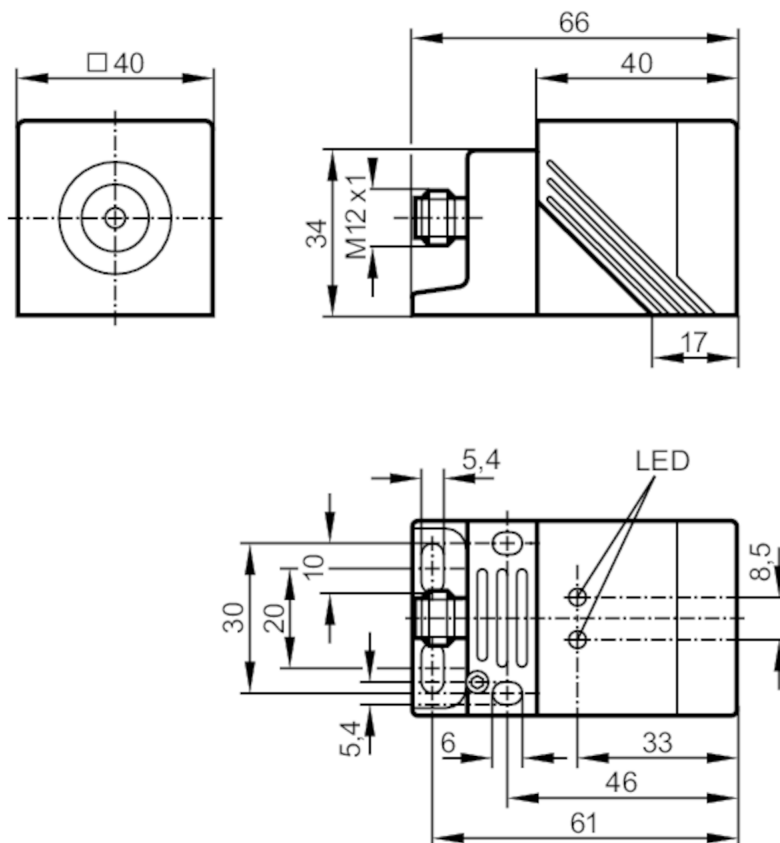


Inductive sensor

IMC3020UBPKG/K1/US-100-DPS

Article no longer available - archive entry

replaced by: IM5128



Product characteristics

Electrical design	PNP
Output function	normally open
Sensing range [mm]	20
Housing	rectangular
Dimensions [mm]	40 x 40 x 66

Application

Special feature	Gold-plated contacts; Correction factor K = 1
-----------------	---

Electrical data

Operating voltage [V]	10...36 DC
Current consumption [mA]	< 20
Protection class	II
Reverse polarity protection	yes
Max. power-on delay time [ms]	10

IM5107



Inductive sensor

IMC3020UBPKG/K1/US-100-DPS

Outputs		
Electrical design		PNP
Output function		normally open
Max. voltage drop switching output DC	[V]	2.5
Max. leakage current	[mA]	0.1; (only in 2-wire operation)
Permanent current rating of switching output DC	[mA]	250
Switching frequency DC	[Hz]	200
Short-circuit protection		yes
Type of short-circuit protection		pulsed
Overload protection		yes
Detection zone		
Sensing range	[mm]	20
Real sensing range Sr	[mm]	20 ± 10 %
Operating distance	[mm]	0...16.2
Accuracy / deviations		
Correction factor		steel: 1 / stainless steel: 1 / brass: 1 / aluminium: 1 / copper: 1
Hysteresis	[% of Sr]	1...20
Switch point drift	[% of Sr]	-10...10
Correction factor K = 1		yes
Operating conditions		
Ambient temperature	[°C]	-25...70
Protection		IP 67
Tests / approvals		
EMC	EN 61000-4-2 ESD	4 kV CD / 8 kV AD
	EN 61000-4-3 HF radiated	10 V/m
	EN 61000-4-4 Burst	2 kV
	EN 61000-4-5 Surge	0,5 kV line to line, Ri: 2 Ohm
	EN 61000-4-6 HF conducted	10 V
	EN 55011	class B
Mechanical data		
Housing		rectangular
Mounting		flush mountable
Dimensions	[mm]	40 x 40 x 66
Materials		connector housing: brass; clamp: PPS; end cap: PPS; housing: PPE; cover: PPE
Displays / operating elements		
Display	switching status	1 x LED, yellow
	operation	1 x LED, green
Accessories		
Accessories (supplied)		Mounting bracket: 1
		Allen key: 1
Remarks		
Pack quantity		1 pcs.

IM5107



Inductive sensor

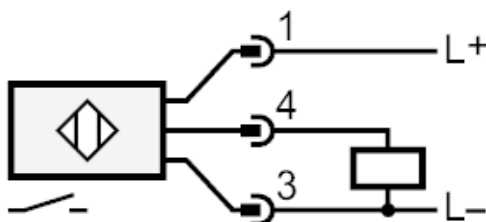
IMC3020UBPKG/K1/US-100-DPS

Electrical connection - plug

Connector: 1 x M12; Contacts: gold-plated



Connection



Article no longer available - archive entry

replaced by: IM5128