

IM5053

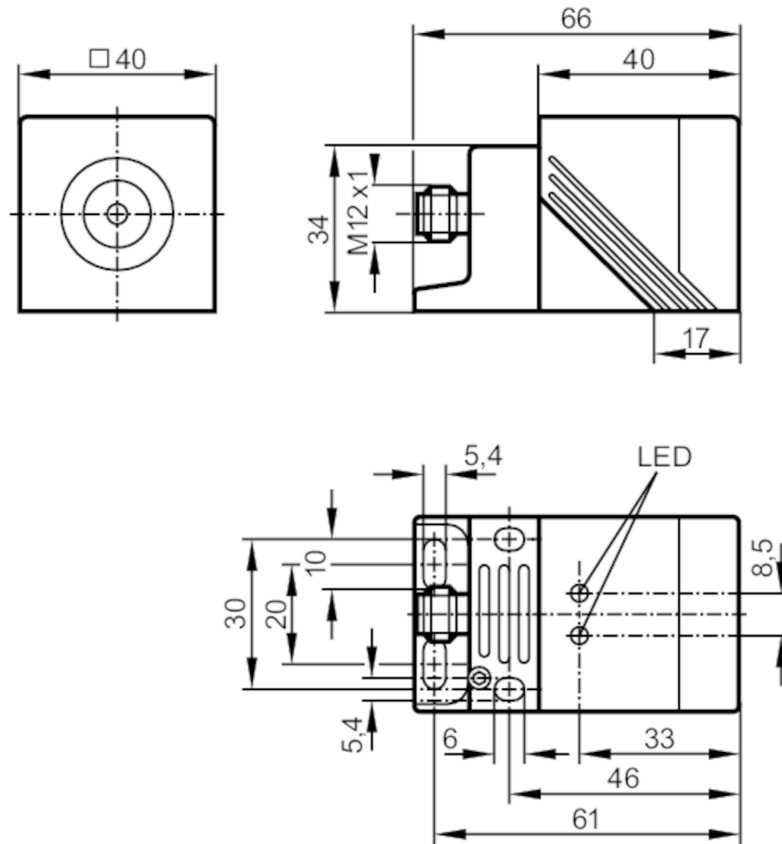


Inductive sensor

IMC3035-BPKG/US-100-DPS

Article no longer available - archive entry

replaced by: IM5116



Product characteristics

Electrical design		PNP
Output function		normally open
Sensing range	[mm]	35
Housing		rectangular
Dimensions	[mm]	40 x 40 x 66

Electrical data

Operating voltage	[V]	10...36 DC
Current consumption	[mA]	15; (24 V)
Protection class		II
Reverse polarity protection		yes

IM5053



Inductive sensor

IMC3035-BPKG/US-100-DPS

Outputs		
Electrical design		PNP
Output function		normally open
Max. voltage drop switching output DC	[V]	2.5
Permanent current rating of switching output DC	[mA]	250
Switching frequency DC	[Hz]	100
Short-circuit protection		yes
Type of short-circuit protection		pulsed
Overload protection		yes
Detection zone		
Sensing range	[mm]	35
Accuracy / deviations		
Correction factor		steel: 1 / stainless steel: 0.7 / brass: 0.4 / aluminium: 0.4 / copper: 0.3
Operating conditions		
Ambient temperature	[°C]	-25...70
Protection		IP 67
Tests / approvals		
EMC	EN 60947-5-2	
	EN 55011	class B
Mechanical data		
Housing		rectangular
Mounting		non-flush mountable
Dimensions	[mm]	40 x 40 x 66
Materials		housing: PPE; sensing face: PPE; end cap: PPS; connector housing: brass white bronze coated; clamp: PPS
Displays / operating elements		
Display	switching status	1 x LED, yellow
	operation	1 x LED, green
Accessories		
Accessories (supplied)	Mounting bracket:	1
	Allen key:	1
Remarks		
Remarks		5 positions of the active zone possible
Pack quantity		1 pcs.
Electrical connection - plug		
Connector: 1 x M12		

IM5053



Inductive sensor

IMC3035-BPKG/US-100-DPS



Connection



Article no longer available - archive entry

replaced by: IM5116