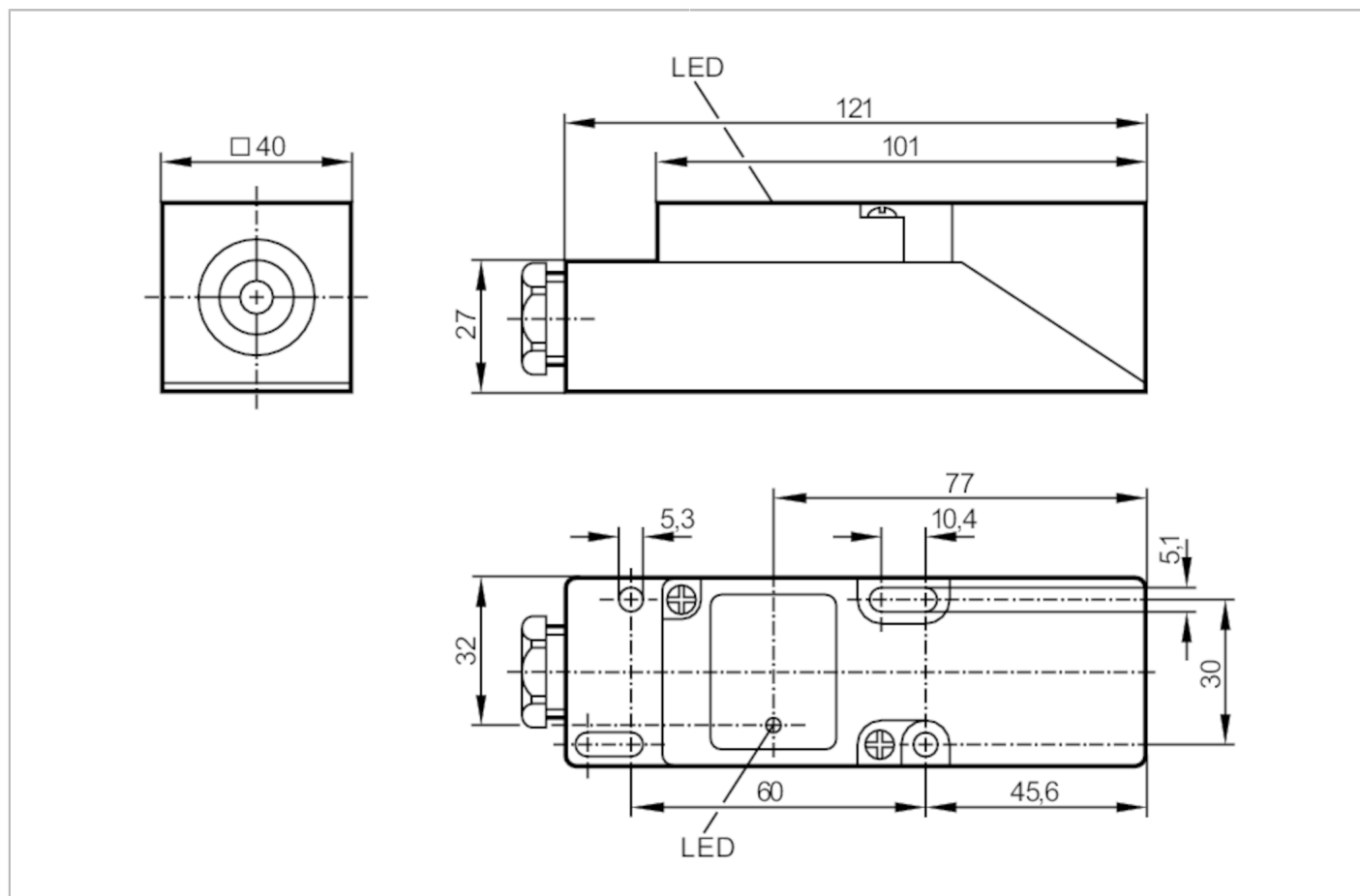


IM5019



Inductive sensor

IME3020-FPKG



Product characteristics

Electrical design	PNP	
Output function	normally open / normally closed; (selectable)	
Sensing range [mm]	20	
Housing	rectangular	
Dimensions [mm]	40 x 40 x 120	

Electrical data

Operating voltage [V]	10...36 DC	
Current consumption [mA]	15; (24 V)	
Protection class	II	
Reverse polarity protection	yes	

IM5019



Inductive sensor

IME3020-FPKG

Outputs		
Electrical design		PNP
Output function		normally open / normally closed; (selectable)
Max. voltage drop switching output DC	[V]	2.5
Permanent current rating of switching output DC	[mA]	250
Switching frequency DC	[Hz]	300
Short-circuit protection		yes
Type of short-circuit protection		pulsed
Overload protection		yes
Detection zone		
Sensing range	[mm]	20
Real sensing range Sr	[mm]	20 ± 10 %
Operating distance	[mm]	0...16.2
Accuracy / deviations		
Correction factor		steel: 1 / stainless steel: 0.7 / brass: 0.4 / aluminium: 0.3 / copper: 0.2
Hysteresis	[% of Sr]	1...15
Switch point drift	[% of Sr]	-10...10
Operating conditions		
Ambient temperature	[°C]	-25...80
Protection		IP 65
Tests / approvals		
EMC	EN 61000-4-2 ESD	4 kV CD
	EN 61000-4-3 HF radiated	3 V/m
	EN 61000-4-4 Burst	2 kV
	EN 61000-4-6 HF conducted	3 V
	EN 55011	class B
MTTF	[years]	1727
UL approval	Ta	0...40 °C
	Enclosure type	Type 1
	voltage supply	Hazardous voltage
	File number UL	E174191
Mechanical data		
Weight	[g]	188.5
Housing		rectangular
Mounting		non-flush mountable
Dimensions	[mm]	40 x 40 x 120
Materials		PPE
Displays / operating elements		
Display	switching status	1 x LED, yellow
Remarks		
Pack quantity		1 pcs.

IM5019



Inductive sensor

IME3020-FPKG

Electrical connection

terminals: ...2.5 mm²; Cable sheath: Ø 7...13 mm; Cable gland: M20 X 1.5

Connection

