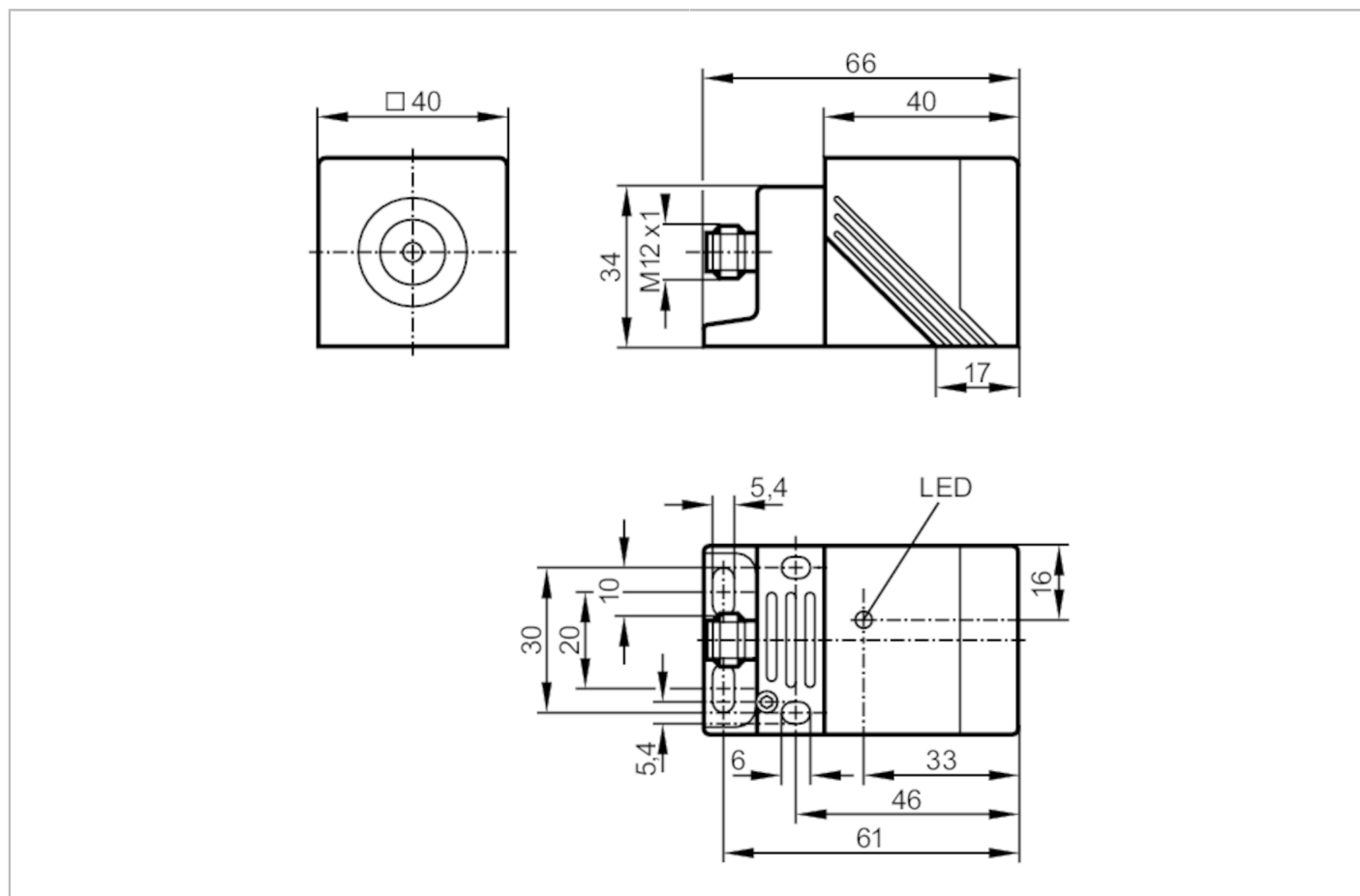


IM0054



Inductive sensor

IMC2020BABOA/SL/LS-100FK



Product characteristics

| | | |
|-----------------|------|---------------|
| Output function | | normally open |
| Sensing range | [mm] | 20 |
| Housing | | rectangular |
| Dimensions | [mm] | 40 x 40 x 66 |

Electrical data

| | | |
|-----------------------------|-----|----------------|
| Operating voltage | [V] | 20...250 AC/DC |
| Protection class | | I |
| Reverse polarity protection | | no |

IM0054



Inductive sensor

IMC2020BABOA/SL/LS-100FK

| Outputs | | |
|--|------------------|---|
| Output function | | normally open |
| Max. voltage drop switching output DC [V] | | 6 |
| Max. voltage drop switching output AC [V] | | 6.5 |
| Minimum load current [mA] | | 1.9 |
| Max. leakage current [mA] | | 2.5 (250 V AC) / 1.3 (130 V AC) / 0.8 (24 V DC) |
| Permanent current rating of switching output AC [mA] | | 250; (350 (...50 °C)) |
| Permanent current rating of switching output DC [mA] | | 100 |
| Short-time current rating of switching output [mA] | | 2200; (20 ms / 0,5 Hz) |
| Switching frequency AC [Hz] | | 25 |
| Switching frequency DC [Hz] | | 140 |
| Short-circuit proof | | no |
| Overload protection | | no |
| Detection zone | | |
| Sensing range [mm] | | 20 |
| Real sensing range Sr [mm] | | 20 ± 10 % |
| Operating distance [mm] | | 0...16.2 |
| Accuracy / deviations | | |
| Correction factor | | steel: 1 / stainless steel: 0.9 / brass: 0.4 / aluminium: 0.4 / copper: 0.3 |
| Hysteresis [% of Sr] | | 3...15 |
| Operating conditions | | |
| Ambient temperature [°C] | | -25...70 |
| Protection | | IP 67 |
| Tests / approvals | | |
| EMC | EN 60947-5-2 | |
| | EN 55011 | class B |
| MTTF [years] | | 599 |
| Mechanical data | | |
| Weight [g] | | 154.5 |
| Housing | | rectangular |
| Mounting | | flush mountable |
| Dimensions [mm] | | 40 x 40 x 66 |
| Materials | | PPE; clamp: PPS; connector housing: brass white bronze coated |
| Displays / operating elements | | |
| Display | switching status | 1 x LED, yellow |
| Electrical connection | | |
| Required protection | | miniature fuse to IEC60127-2 sheet 1; ≤ 2 A; fast acting |

IM0054



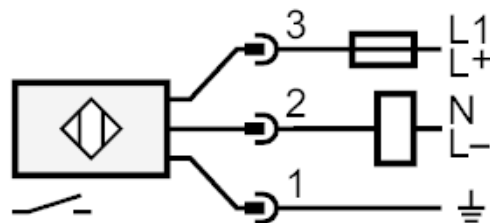
Inductive sensor

IMC2020BABOA/SL/LS-100FK

| Remarks | |
|---------------|--|
| Remarks | Recommendation: Check the safe functioning of the unit after a short circuit. 5 positions of the active zone possible |
| Pack quantity | 1 pcs. |

Electrical connection - plug

Connector: 1 x M12



Note miniature fuse to IEC60127-2 sheet 1 ≤ 2 A fast acting