

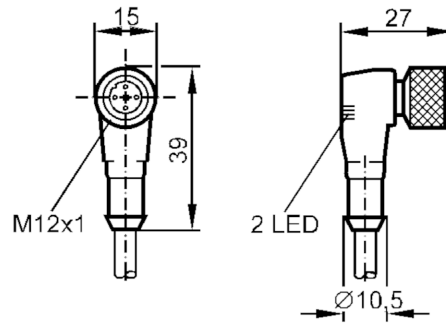
E10518



Connecting cable with socket

ADOAH042MSS0005F03

Article no longer available - archive entry



Electrical data

Operating voltage [V] 10...30 DC

Outputs

Electrical design PNP

Operating conditions

Ambient temperature [°C] -25...90

Protection IP 67

Mechanical data

Dimensions [mm] 27 x 15 x 39

Materials TPU transparent

Material nut brass, anti-spatter

Displays / operating elements

Display	switching status	1 x LED, yellow
	operation	1 x LED, green

Remarks

Pack quantity 1 pcs.

Electrical connection

Cable: 5 m, PVC, orange, Ø 5 mm; cross-linked; 3 x 0.34 mm²

Electrical connection - socket

Connector: 1 x M12, angled; Moulded body: TPU, transparent; Locking: brass, anti-spatter

E10518

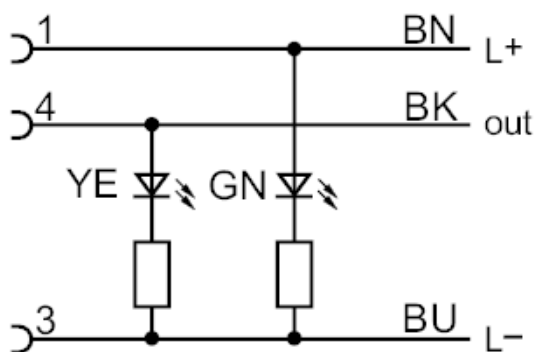


Connecting cable with socket

ADOAH042MSS0005F03



Connection



Core colours :

BN = brown
BK = black
BU = blue

Article no longer available - archive entry