

AC5012

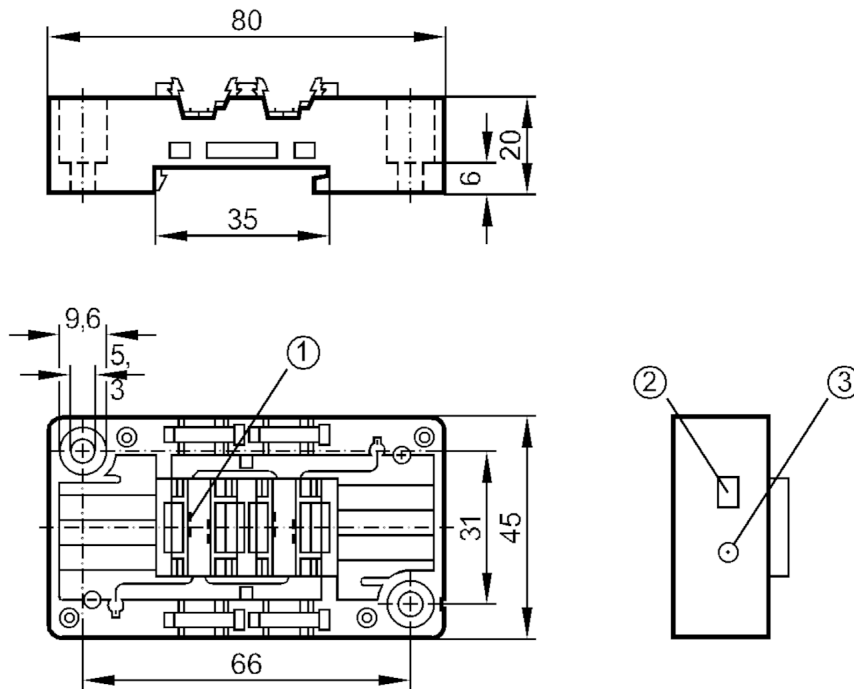


Lower part for AS-Interface module

EMS-Base FC Addr.-socket V2A

Article no longer available - archive entry

Alternative article: AC5014 When selecting an alternative article and accessories please note that technical data may differ! – When selecting an alternative article and accessories please note that technical data may differ!



- 1 contact pins
- 2 panel for labelling
- 3 addressing socket



Electrical data		
Operating voltage	[V]	26.5...31.6 DC
Outputs		
Electrical design		AS-i
Contact rating		< 2 A
Operating conditions		
Ambient temperature	[°C]	-25...85
Protection		IP 67; (depending on the upper part used: IP 20 / IP 65 / IP 67)
AS-i classification		
AS-i addressing		addressing socket
Mechanical data		
Type of mounting		mounting on DIN rail and panel
Dimensions	[mm]	45 x 80 x 20
Materials		PBT; stainless steel (1.4305 / 303)
Remarks		
Pack quantity		1 pcs.
Electrical connection		

contact pins in module upper part :

AC5012



Lower part for AS-Interface module

EMS-Base FC Addr.-socket V2A

quick mounting technology for AS-i flat cable:

Article no longer available - archive entry

Alternative article: AC5014 When selecting an alternative article and accessories please note that technical data may differ! – When selecting an alternative article and accessories please note that technical data may differ!