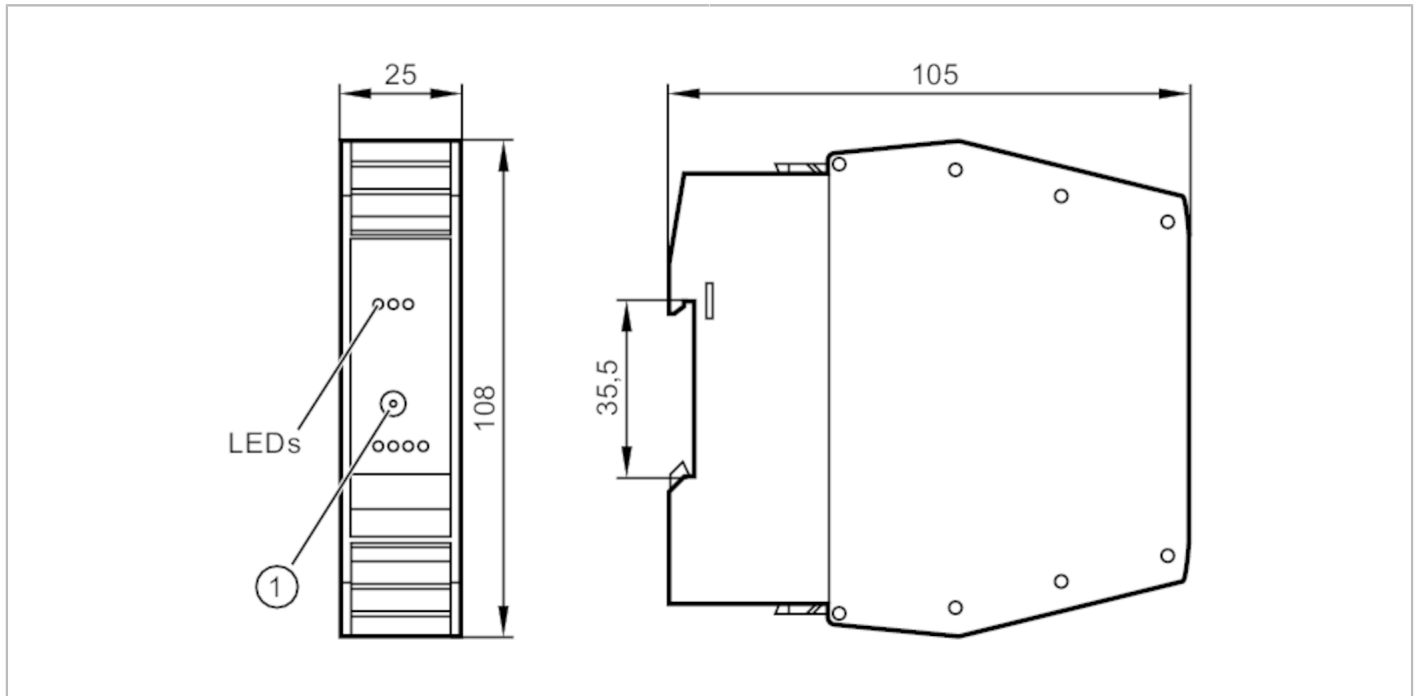


# AC2252



## AS-Interface control cabinet module

SmartL25 4DO T C



Electrical data	
Operating voltage [V]	26.5...31.6 DC
Max. current consumption from AS-i [mA]	50
Max. current load total [A]	4; (> 50 °C: 2000 mA)
Integrated watchdog	yes
Inputs / outputs	
Number of inputs and outputs	Number of digital outputs: 4
Outputs	
Number of digital outputs	4
Circuit	PNP
Voltage range DC [V]	20...30; (external (E+/E-), to PELV)
Max. current load per output [mA]	1000; (utilisation category DC-12: 700 mA; utilisation category DC-13 (control of electromagnets): 20 W (IEC 60947-5-1))
Short-circuit proof	yes
Electrically separated	yes
Operating conditions	
Ambient temperature [°C]	-25...70
Note on ambient temperature	cRUUs: -25...60 °C
Protection	IP 20
Tests / approvals	
EMC	EN 50295
MTTF [years]	254

# AC2252



## AS-Interface control cabinet module

SmartL25 4DO T C

AS-i classification					
AS-i version	2.1				
AS-i addressing	addressing socket				
Extended addressing mode possible	no				
AS-i profile	S-8.0.E				
AS-i I/O configuration [hex]	8				
AS-i ID code [hex]	0.E				
AS-i certificate	37302				
Assignment of the data bits	data bit	D0	D1	D2	D3
	Output	O-1	O-2	O-3	O-4
Mechanical data					
Weight [g]	126				
Type of mounting	mounting on DIN rail; string mounting possible				
Materials	PA				
Displays / operating elements					
Display	switching status			LED, yellow	
	operation			LED, green	
	errors			LED, red	
Accessories					
Accessories (optional)	COMBICON connectors				
Remarks					
Pack quantity	1 pcs.				



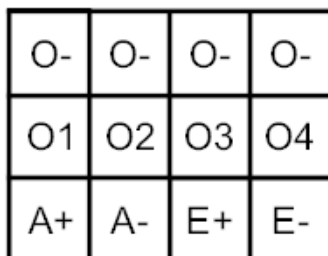
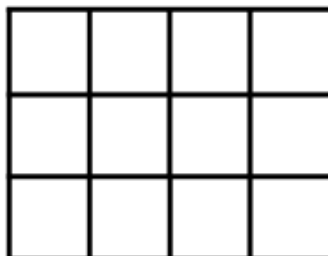
## AS-Interface control cabinet module

SmartL25 4DO T C

### Electrical connection

COMBICON:

### Connection



A+	AS-i +
A-	AS-i -
E+	actuator supply +24V
E-	actuator supply 0V
O1...O4	switching output actuator 1...4