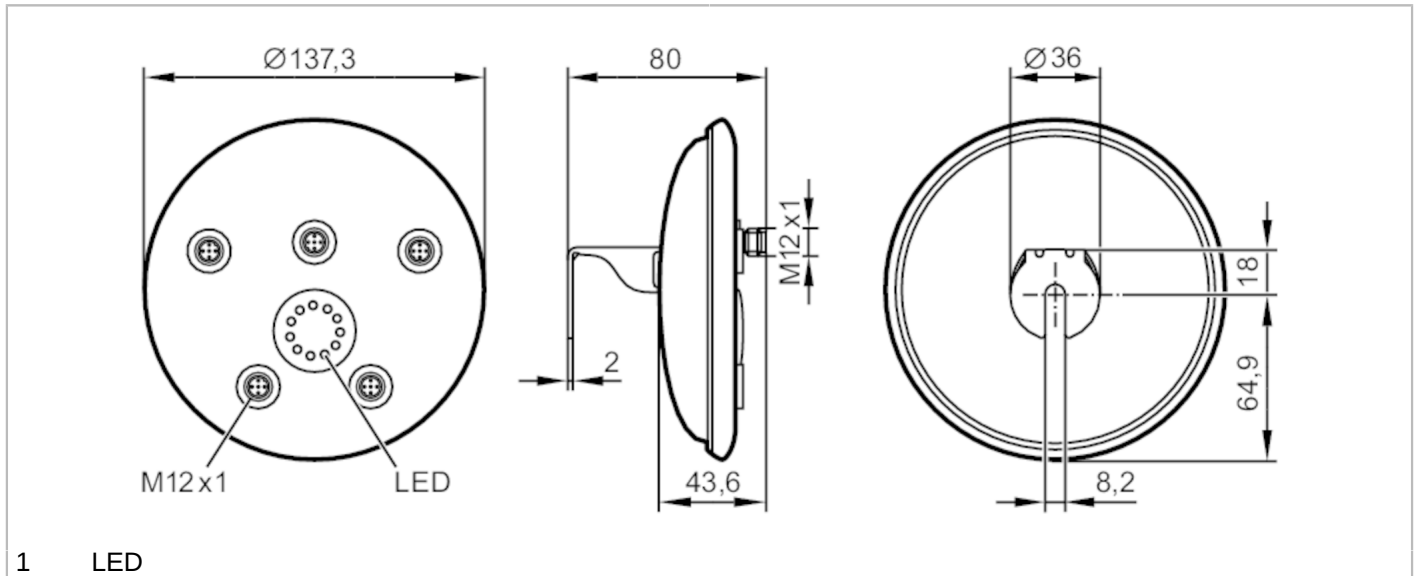


AC2916



AS-Interface ProcessLine module

ProcessLine 4AI C IP69K



1 LED



Electrical data	
Operating voltage [V]	26.5...31.6 DC
Max. current consumption from AS-i [mA]	450
Reverse polarity protection	yes
Inputs / outputs	
Number of inputs and outputs	Number of analogue inputs: 4
Inputs	
Number of analogue inputs	4; (Anschluss von 2- und 3-Draht-Sensoren)
Sensor supply of the inputs	AS-i
Digital inputs protected against short circuits	yes
Analogue input (current) [mA]	4...20
Max. voltage drop across load for nominal voltage [V]	10
Resolution of analogue input	12 (1 bit = 1 μ A)
Operating conditions	
Ambient temperature [°C]	-5...70
Protection	IP 68; IP 69K
Tests / approvals	
EMC	EN 50295
MTTF [years]	98

AC2916



AS-Interface ProcessLine module

ProcessLine 4AI C IP69K

AS-i classification	
AS-i version	2.11 + 3.0
Extended addressing mode possible	no
AS-i profile	S-7.3.E
AS-i I/O configuration [hex]	7
AS-i ID code [hex]	3.E
AS-i certificate	101108

Mechanical data	
Weight [g]	607
Dimensions [mm]	137.3 x 80 x 137.3
Materials	threaded bush: stainless steel (1.4404 / 316L); PC; O-ring: EPDM

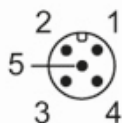
Displays / operating elements		
Display	operation	LED, green Voltage AS-i
	errors	LED, red
	function	LED, yellow channels AI1...AI4

Accessories	
Accessories (optional)	Protective cap: M12, E70297
	Flat cable insulation displacement connector, E70454
	Torque wrench, E70390

Remarks	
Remarks	When the sensors and actuators are supplied from AS-i the load must not exceed a maximum of 380 mA.
	The load for an individual sensor connection must not exceed 200 mA.
	There is an electrical connection between the sensor and AS-i.
Pack quantity	1 pcs.

Electrical connection - AS-i	
1:	AS-i +
2:	n.c.
3:	AS-i -
4:	n.c.
5:	functional earth (FE)

Connector: 1 x M12





AS-Interface ProcessLine module

ProcessLine 4AI C IP69K

Electrical connection - Process connection

	Inputs
1	Sensor supply 24 V
2	AI+
3	Sensor supply 0 V / AI-
4	n.c.
5	functional earth (FE)

Connector: 4 x M12

