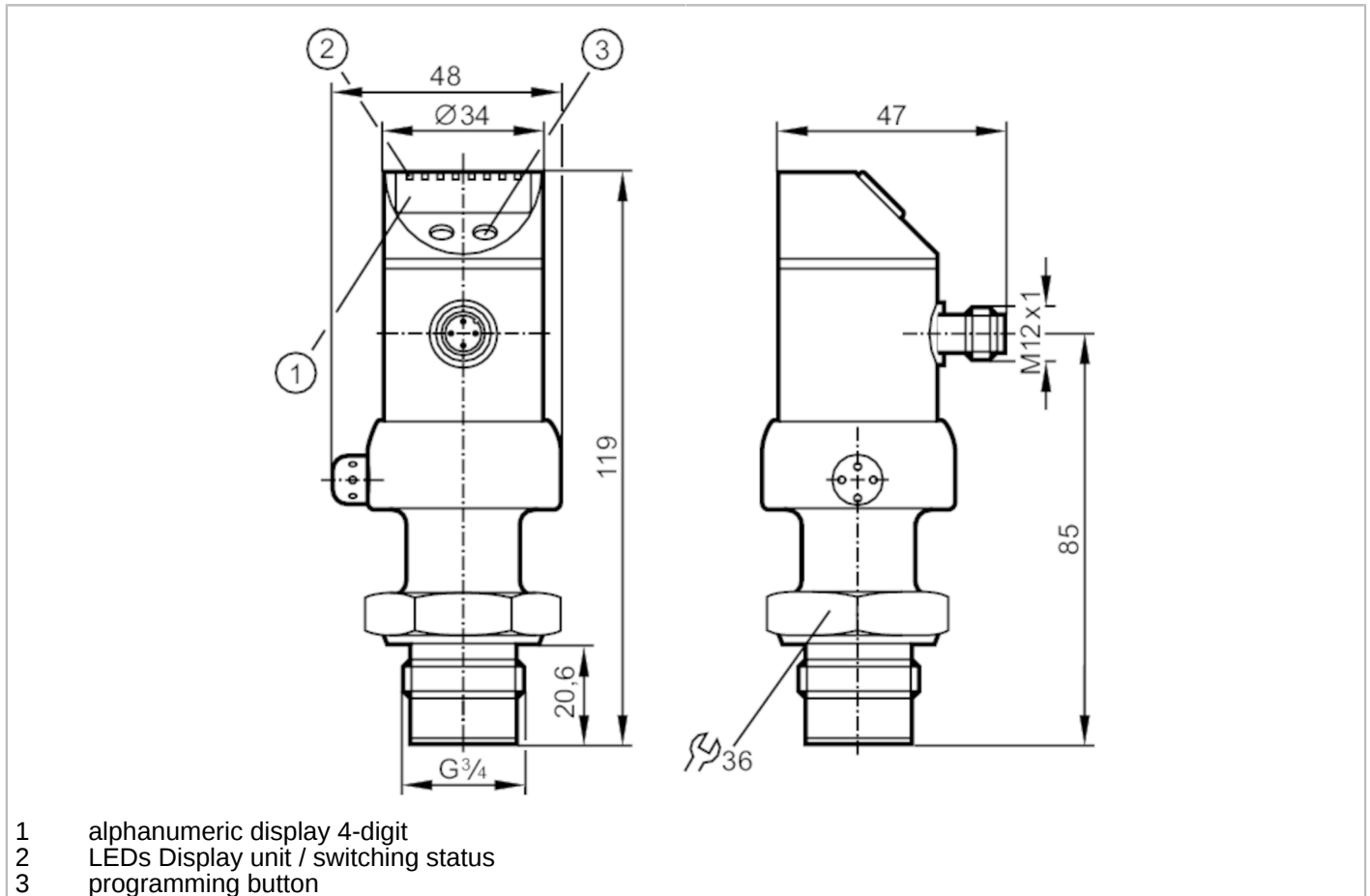


PI2996



Flush pressure sensor with display

PI-2,5-REB34-MFRKG/US/ IP



Product characteristics

Output signal	switching signal; analogue signal; (configurable)	
Measuring range	-0.124...2.5 bar	-124...2500 mbar
Process connection	threaded connection G 3/4 external thread	

Application

Special feature	Gold-plated contacts	
Application	food and beverage industry	
Installation	freely rotatable housing 350°	
Media	viscous media and liquids with suspended particles; liquids and gases	
Medium temperature [°C]	-25...125; (145 max. 1h)	
Pressure rating [bar]	20	
Min. bursting pressure [bar]	50	
Type of pressure	relative pressure	
No dead space	yes	

PI2996



Flush pressure sensor with display

PI-2,5-REB34-MFRKG/US/ IP

Electrical data	
Operating voltage [V]	18...32 DC
Current consumption [mA]	< 50
Min. insulation resistance [MΩ]	100; (500 V DC)
Protection class	III
Reverse polarity protection	yes
Power-on delay time [s]	0.5
Integrated watchdog	yes
Inputs / outputs	
Number of inputs and outputs	Number of digital outputs: 1; Number of analogue outputs: 1
Outputs	
Total number of outputs	2
Output signal	switching signal; analogue signal; (configurable)
Electrical design	PNP/NPN
Number of digital outputs	1
Output function	normally open / normally closed; (parameterisable)
Max. voltage drop switching output DC [V]	2
Permanent current rating of switching output DC [mA]	250
Switching frequency DC [Hz]	6
Number of analogue outputs	1
Analogue current output [mA]	4...20, invertible; (scalable 1:4)
Max. load [Ω]	(U _b - 10 V) / 20 mA
Analogue voltage output [V]	0...10, invertible; (scalable 1:4)
Min. load resistance [Ω]	2000
Short-circuit protection	yes
Type of short-circuit protection	pulsed
Overload protection	yes
Measuring/setting range	
Measuring range	-0.124...2.5 bar -124...2500 mbar
Set point SP [bar]	-0.12...2.5
Reset point rP [bar]	-0.124...2.496
Analogue start point [bar]	-0.124...1.88
Analogue end point [bar]	0.5...2.5
In steps of [bar]	0.002
Factory setting	SP1 = 0.624 bar rP1 = 0.574 bar ASP = 0.000 bar AEP = 2.500 bar
Accuracy / deviations	
Switch point accuracy [% of the span]	< ± 0,2; (Turn down 1:1)
Repeatability [% of the span]	< ± 0,1; (with temperature fluctuations < 10 K; Turn down 1:1)
Characteristics deviation	< ± 0,2; (Turn down 1:1 linearity, incl. hysteresis and repeatability limit value setting to DIN 16086)



Flush pressure sensor with display

PI-2,5-REB34-MFRKG/US/ IP

	[% of the span]	
Linearity deviation	[% of the span]	$< \pm 0,15$; (Turn down 1:1)
Hysteresis deviation	[% of the span]	$< \pm 0,15$; (Turn down 1:1)
Long-term stability	[% of the span]	$< \pm 0,1$; (Turn down 1:1; per year)
Temperature coefficient zero point	[% of the span / 10 K]	$< \pm 0,05$; (0...70 °C)
Temperature coefficient span	[% of the span / 10 K]	$< \pm 0,15$; (0...70 °C)

Response times

Response time	[ms]	< 100
Damping for the switching output dAP	[s]	0.1...100
Damping for the analogue output dAA	[s]	0.1...100
Step response time analogue output	[ms]	25

Software / programming

Parameter setting options	hysteresis / window; normally open / normally closed; switching logic; current/voltage output; Damping; adaptation of displayed values; display can be rotated and switched off; Display unit; zero point; span
---------------------------	---

Operating conditions

Ambient temperature	[°C]	-25...80
Storage temperature	[°C]	-40...100
Protection		IP 67; IP 69K

Tests / approvals

EMC	EN 61000-4-2 ESD	4 kV CD / 8 kV AD
	EN 61000-4-3 HF radiated	10 V/m
	EN 61000-4-4 Burst	2 kV
	EN 61000-4-5 Surge	0,5/1 kV
	EN 61000-4-6 HF conducted	10 V
Shock resistance	DIN IEC 68-2-27	50 g (11 ms)
Vibration resistance	DIN IEC 68-2-6	20 g (10...2000 Hz)
MTTF	[years]	163

Mechanical data

Weight	[g]	384
Materials		stainless steel (1.4404 / 316L); PC; PBT; PEI; FKM; PTFE
Materials (wetted parts)		ceramics (99.9 % Al ₂ O ₃); PTFE; stainless steel (1.4435 / 316L); surface characteristics: Ra < 0,4 / Rz 4
Min. pressure cycles		100 million
Process connection		threaded connection G 3/4 external thread

PI2996



Flush pressure sensor with display

PI-2,5-REB34-MFRKG/US/ IP

Displays / operating elements		
Display	Display unit	6 x, green
	switching status	LED, yellow
	function display	alphanumeric display, 4-digit
	measured values	alphanumeric display, 4-digit
Display unit	bar; kPa; psi; inH2O; mWS; % of the span	

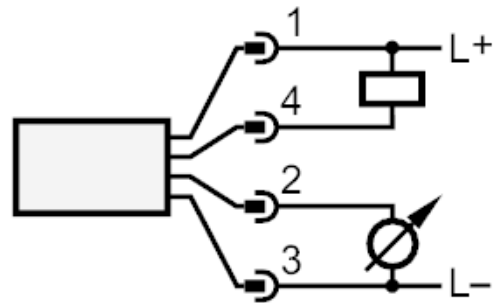
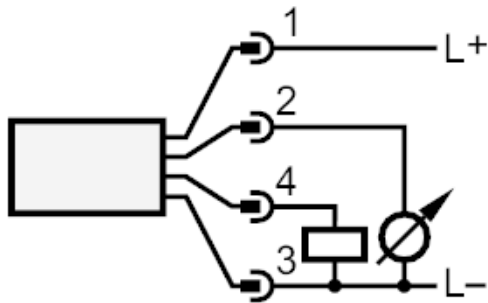
Remarks	
Pack quantity	1 pcs.

Electrical connection

Connector: 1 x M12; Contacts: gold-plated



Connection



OUT1 switching output
OUT2 analogue output