

# OL5010



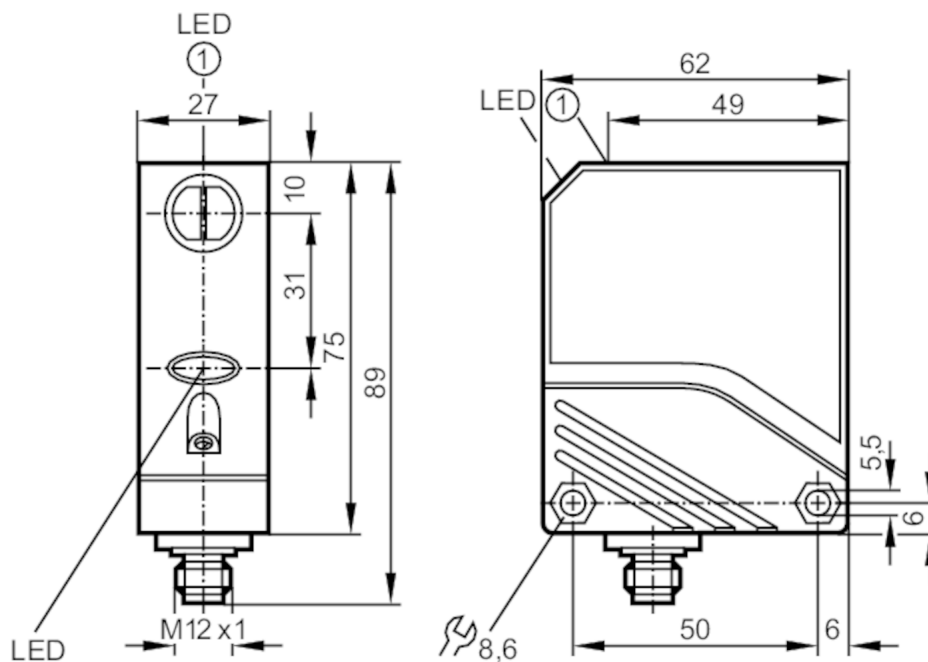
## Diffuse reflection sensor

OLT-FNKG/US-100

Article no longer available - archive entry

Alternative articles: O5H504 + E21122

When selecting an alternative article and accessories please note that technical data may differ!



1 pushbutton

### Product characteristics

Type of light	infrared light
Housing	rectangular
Dimensions [mm]	75 x 27 x 62

### Application

Special feature	Function check output
Function principle	Diffuse reflection sensor

### Electrical data

Operating voltage [V]	10...36 DC
Current consumption [mA]	< 37
Protection class	II
Reverse polarity protection	yes
Type of light	infrared light
Wave length [nm]	880

# OL5010



## Diffuse reflection sensor

OLT-FNKG/US-100

Outputs		
Electrical design		NPN
Output function		light-on/dark-on mode; (parameterisable)
Max. voltage drop switching output DC	[V]	2.5
Function check output		yes
Max. voltage drop of function check output	[V]	3.5
Max. current load for function check output	[mA]	10
Permanent current rating of switching output DC	[mA]	100; (200 (...50 °C))
Switching frequency DC	[Hz]	500
Short-circuit protection		yes
Type of short-circuit protection		pulsed
Overload protection		yes
Detection zone		
Range	[mm]	1...1000; (white paper 200 x 200 mm 90% remission)
Range adjustable		yes
Max. light spot diameter	[mm]	300
Light spot dimensions refer to		at maximum range
Operating conditions		
Ambient temperature	[°C]	-25...80
Protection		IP 67
Tests / approvals		
EMC	EN 60947-5-2	
	EN 55011	class B
Mechanical data		
Weight	[g]	0.18
Housing		rectangular
Dimensions	[mm]	75 x 27 x 62
Materials		PA; PBT
Lens material		PMMA
Displays / operating elements		
Display	switching status	1 x LED, yellow
	operation	1 x LED, green
	function	1 x LED, red
Remarks		
Pack quantity		1 pcs.
Electrical connection		
Connector: 1 x M12		

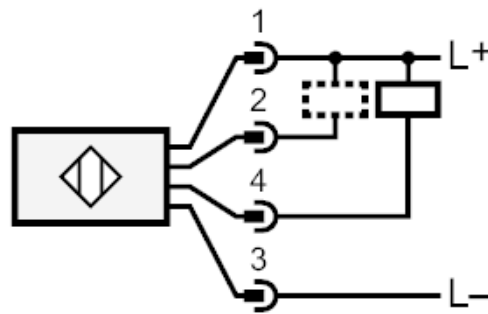
# OL5010

## Diffuse reflection sensor

OLT-FNKG/US-100



### Connection



2

Function check output

# OL5010



## Diffuse reflection sensor

OLT-FNKG/US-100

### Diagrams and graphs

excess gain graph

