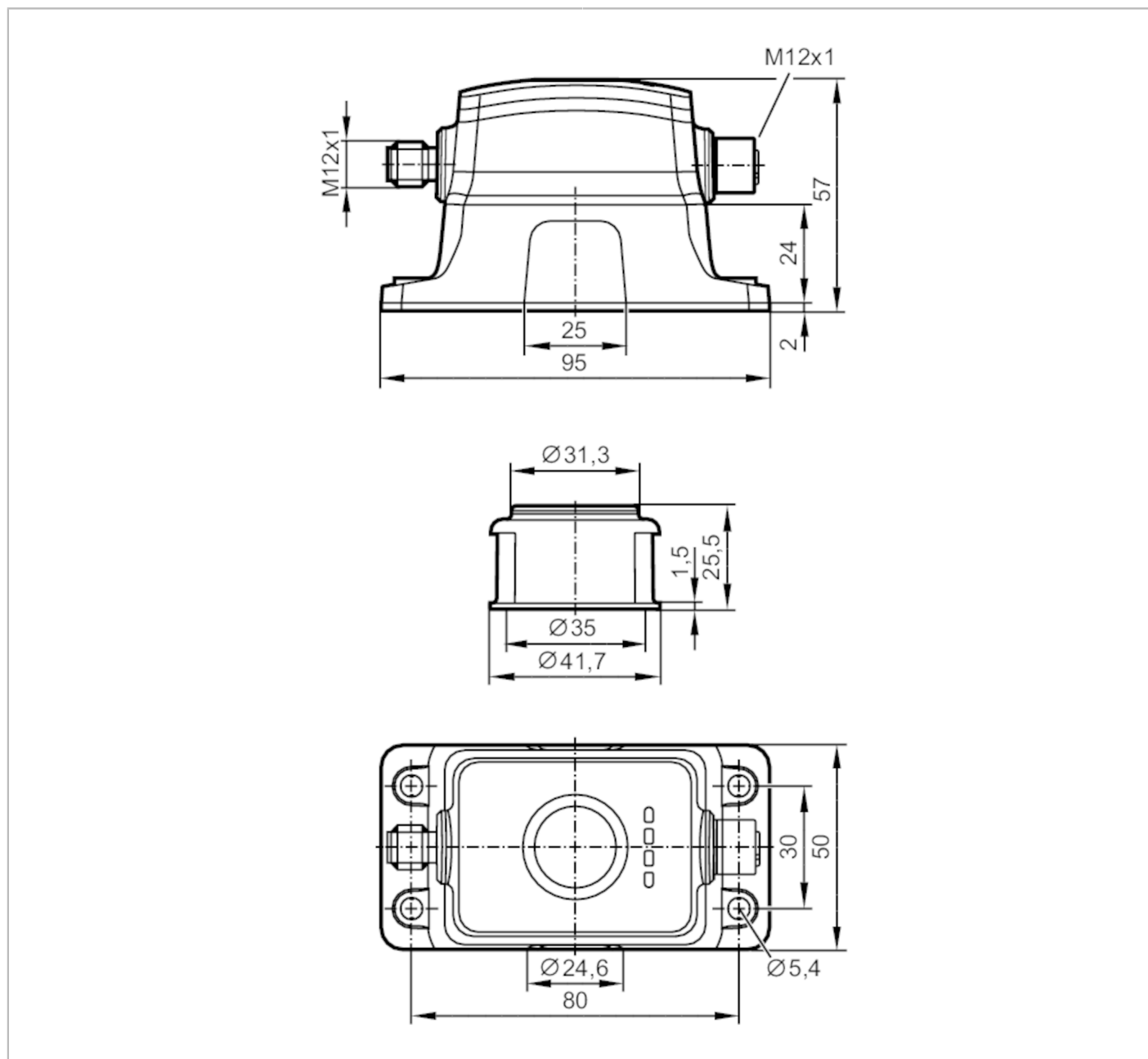


# MVQ201



## Position sensor for valve actuators

SVS SOLENOID OUT



Product characteristics	
Electrical design	PNP
Output function	2 x normally open / normally closed; (selectable)
Communication interface	IO-Link
Housing	rectangular
Dimensions [mm]	95 x 50 x 57
Solenoid valve connection	
Output function	2 x normally open



## Position sensor for valve actuators

SVS SOLENOID OUT

Application	
Operating principle	magnetic
Application	angle of rotation detection absolute
Electrical data	
Operating voltage [V]	10...30 DC
Current consumption [mA]	< 40
Protection class	III
Reverse polarity protection	yes
Max. power-on delay time [ms]	300
Inputs / outputs	
Number of inputs and outputs	Number of digital inputs: 1; Number of digital outputs: 2
Inputs	
Number of digital inputs	1
Outputs	
Electrical design	PNP
Number of digital outputs	2
Output function	2 x normally open / normally closed; (selectable)
Max. voltage drop switching output DC [V]	2.5
Max. current load per output [mA]	100
Short-circuit protection	yes
Overload protection	yes
Solenoid valve connection	
Output function	2 x normally open
Max. current load per output [mA]	200
Short-circuit protection	yes
Overload protection	yes
Detection zone	
Detection zone [°]	360
Accuracy / deviations	
Accuracy [°]	± 1
Resolution [°]	0.1
Tolerance [°]	0.1...15; (Default 10)
Hysteresis [°]	0.1...5; (Default 3)
Temperature drift [°/K]	0,02
Repeatability [°]	0,1

# MVQ201



## Position sensor for valve actuators

SVS SOLENOID OUT

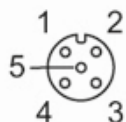
Interfaces		
Communication interface	IO-Link	
Transmission type	COM2 (38,4 kBaud)	
IO-Link revision	1.1	
SDCI standard	IEC 61131-9 CDV	
Profiles	Smart Sensor: Device Identification; Device Diagnosis; Device Teach Channel; Binary Data Channel; Process Data Variable; Blob; Measurement Data Channel	
SIO mode	yes	
Required master port type	A	
Min. process cycle time [ms]	4	
Supported DeviceIDs	Type of operation	DeviceID
	Default	595
Operating conditions		
Ambient temperature [°C]	-25...70	
Protection	IP 65; IP 67; (Target puck area dust-protected)	
Tests / approvals		
EMC	EN 61000-4-2	4 kV CD / 8 kV AD
	EN 61000-4-3	10 V/m
	EN 61000-4-4	2 kV
	EN 61000-4-6	10 V
	EN 55011	class B
Vibration resistance	EN 60068-2-6	
Shock resistance	EN 60068-2-27	
MTTF [years]	363	
UL approval	UL Approval no.	S002
Mechanical data		
Weight [g]	192	
Housing	rectangular	
Dimensions [mm]	95 x 50 x 57	
Materials	PA	
Tightening torque [Nm]	3	
Displays / operating elements		
Display	operation	1 x LED, green
	switching status	2 x LED, white
		1 x LED, RGB
Accessories		
Items supplied	socket head screws: 4 x M5 x 20, stainless steel target puck	
Remarks		
Pack quantity	1 pcs.	
Electrical connection - solenoid valve		
Connector: 1 x M12; Moulded body: stainless steel		

# MVQ201



## Position sensor for valve actuators

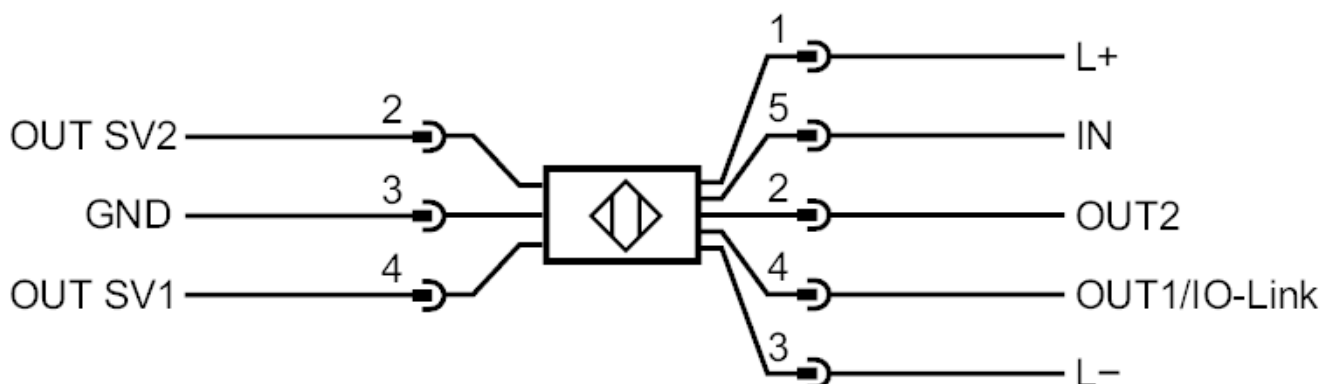
SVS SOLENOID OUT



2	Out SV2
3	GND
4	Out SV1

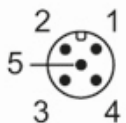
### Electrical connection

#### Connection



### Electrical connection - Process connection

Connector: 1 x M12; Moulded body: stainless steel



1	Ub
2	Out2
3	GND
4	Out1 IO-Link
5	In1

# MVQ201



## Position sensor for valve actuators

SVS SOLENOID OUT

### Other data

#### Inputs

Operating mode	12 V	24 V
Switching level high	6...30 V	15...30 V
Switching level low	0...2 V	0...5 V