

# IM505A



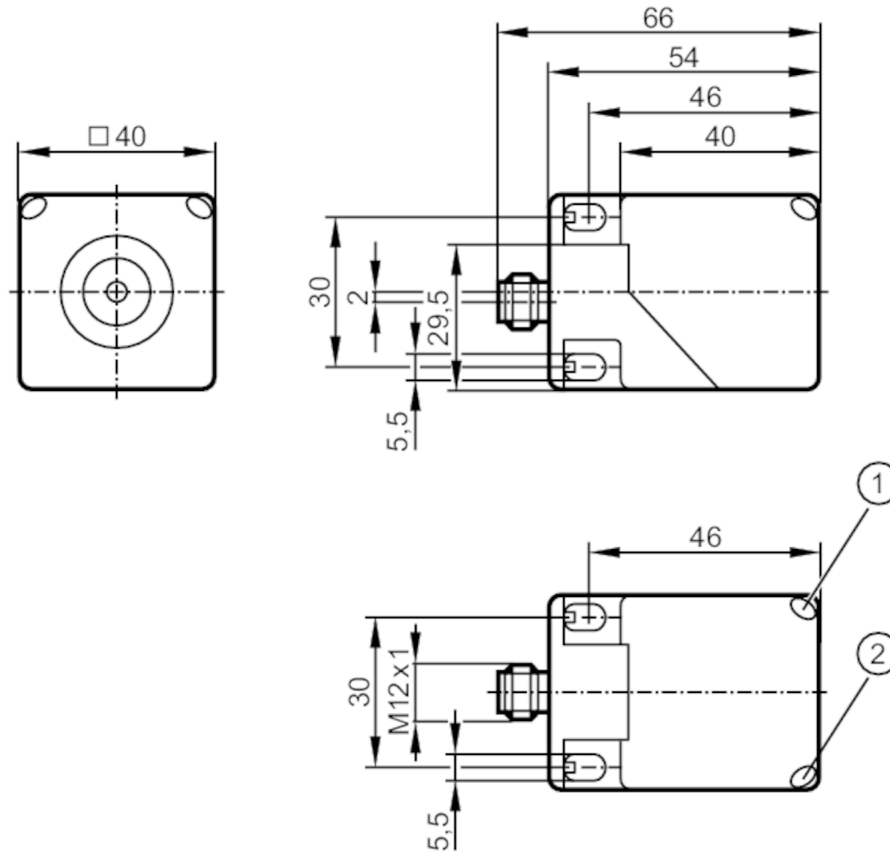
## Inductive sensor

IMC4030-CPKG/US-100-DPA/3D

Article no longer available - archive entry

Alternative articles: IM513A

When selecting an alternative article and accessories please note that technical data may differ!



- 1 LED yellow
- 2 LED green



### Product characteristics

Electrical design		PNP
Output function		complementary
Sensing range	[mm]	30
Housing		rectangular
Dimensions	[mm]	40 x 40 x 54

### Electrical data

Operating voltage	[V]	10...30 DC; (when used outside the hazardous area: 10...36)
Current consumption	[mA]	< 20
Protection class		II
Reverse polarity protection		yes

# IM505A



## Inductive sensor

IMC4030-CPKG/US-100-DPA/3D

Outputs		
Electrical design		PNP
Output function		complementary
Max. voltage drop switching output DC	[V]	2.5
Max. leakage current	[mA]	0.1
Permanent current rating of switching output DC	[mA]	200
Switching frequency DC	[Hz]	100
Short-circuit protection		yes
Type of short-circuit protection		yes (non-latching)
Overload protection		yes
Monitoring range		
Sensing range	[mm]	30
Operating distance	[mm]	0...24.3
Accuracy / deviations		
Correction factor		steel: 1 / stainless steel: 0.7 / brass: 0.4 / aluminum: 0.4 / copper: 0.3
Hysteresis	[% of Sr]	1...20
Operating conditions		
Ambient temperature	[°C]	-20...50
Note on ambient temperature		when used outside the hazardous area: -25...70 °C
Protection		IP 5x; (when used outside the hazardous area: IP 67)
Tests / approvals		
ATEX marking		<div style="display: flex; align-items: center; gap: 10px;"> <span>Ⓔ II 3D Ex tD A22 IP67 T80°C X</span> </div>
		<div style="display: flex; align-items: center; gap: 10px;"> <span>Ⓔ II 3G Ex nA II T6 X</span> </div>
EMC	EN 61000-4-2 ESD	8 kV CD / 6 kV AD
	EN 61000-4-3 HF radiated	10 V/m
	EN 61000-4-4 Burst	2 kV
	EN 61000-4-5 Surge	0,5 line to line, Ri: 2 Ohm
	EN 61000-4-6 HF conducted	10 V
	EN 55011	class B
MTTF	[years]	1208
Mechanical data		
Weight	[g]	0.17
Housing		rectangular
Mounting		non-flush mountable
Dimensions	[mm]	40 x 40 x 54
Material		housing: PA; sensing face: PA black; end cap: PA; clamp: orange; screw: stainless steel (1.4567 / 304Cu)
Displays / operating elements		
Display	Switching status	1 x LED, yellow
	Power	1 x LED, green
Remarks		
Pack quantity		1 pcs.

# IM505A



## Inductive sensor

IMC4030-CPKG/US-100-DPA/3D

### Electrical connection - plug

Connector: 1 x M12; Locking: locking, rotatable, stainless steel (1.4404 / 316L)



### Connection

