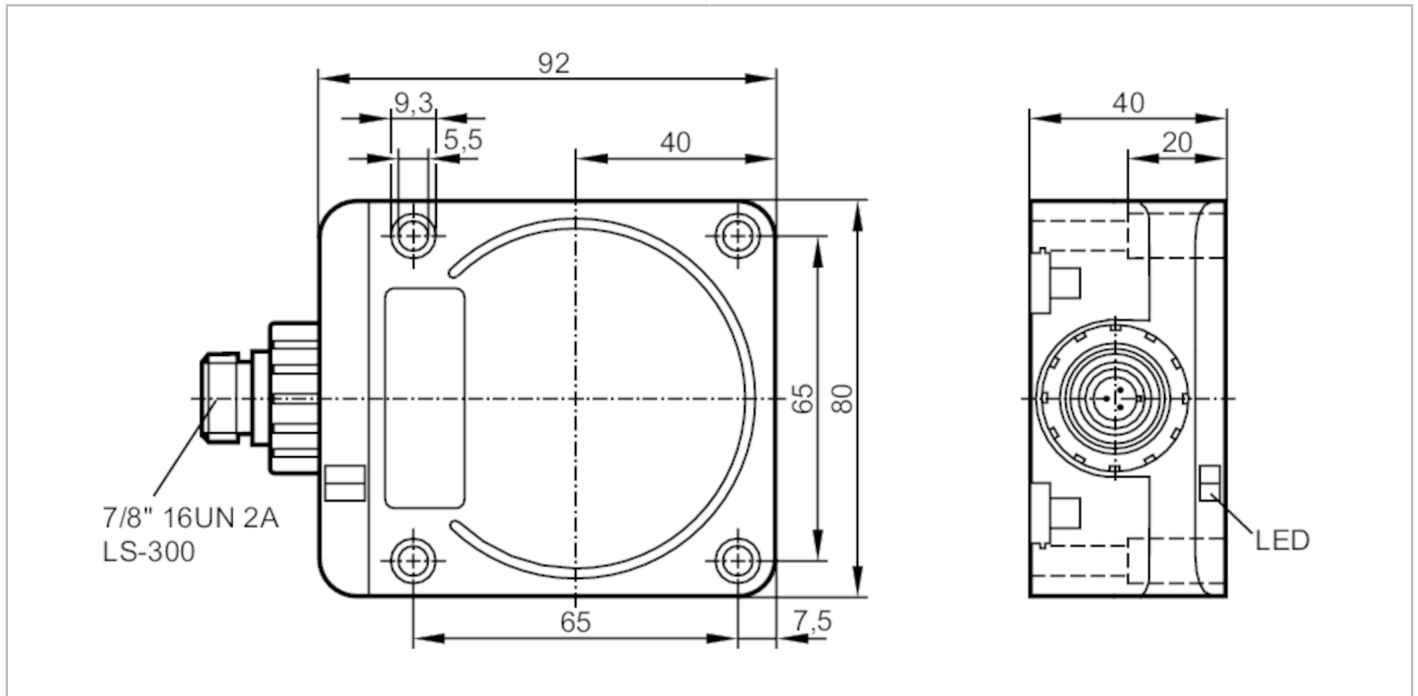


ID0038



Inductive sensor

IDC2050BARKA/SL/LS-300BL



Product characteristics

Output function		normally open
Sensing range	[mm]	50
Housing		rectangular
Dimensions	[mm]	92 x 80 x 40

Electrical data

Frequency AC	[Hz]	47...63
Operating voltage	[V]	20...140 AC / 10...140 DC
Protection class		I
Reverse polarity protection		yes

ID0038



Inductive sensor

IDC2050BARKA/SL/LS-300BL

Outputs		
Output function	normally open	
Max. voltage drop switching output DC [V]	6	
Max. voltage drop switching output AC [V]	6	
Minimum load current [mA]	5.5	
Max. leakage current [mA]	1.7 (140 V AC/DC)	
Permanent current rating of switching output AC [mA]	450	
Permanent current rating of switching output DC [mA]	450	
Short-time current rating of switching output [mA]	2200; (20 ms / 0,5 Hz)	
Switching frequency AC [Hz]	25	
Switching frequency DC [Hz]	25	
Short-circuit protection	yes	
Type of short-circuit protection	pulsed	
Overload protection	yes	
Detection zone		
Sensing range [mm]	50	
Operating distance [mm]	0...40.5; (mounted flush with mild steel (ST37))	
Accuracy / deviations		
Correction factor	steel: 1 / stainless steel: 0.85 / brass: 0.48 / aluminium: 0.46 / copper: 0.38	
Hysteresis [% of Sr]	3...20	
Switch point drift [% of Sr]	-15...15	
Operating conditions		
Ambient temperature [°C]	-25...70	
Protection	IP 67	
Tests / approvals		
EMC	EN 60947-5-2	
MTTF [years]	352	
UL approval	Ta	0...40 °C
	Enclosure type	Type 1
	voltage supply	Hazardous voltage
	File number UL	E174191
Mechanical data		
Weight [g]	432.5	
Housing	rectangular	
Mounting	flush mountable	
Dimensions [mm]	92 x 80 x 40	
Materials	PPE; diecast zinc; brass nickel-plated	

ID0038



Inductive sensor

IDC2050BARKA/SL/LS-300BL

Displays / operating elements		
Display	switching status	1 x LED, red
	operation	1 x LED, green
	short circuit	1 x LED, green/red alternately flashing

Accessories	
Items supplied	sealing plug: 1

Remarks	
Pack quantity	1 pcs.

Electrical connection - plug

Connector: 1 x 7/8"

