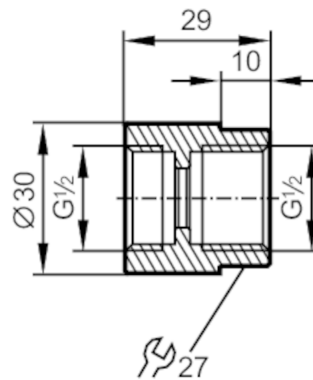


# E40213



## Mounting adapter for flow sensors

SCREW-IN ADAPTER 1/2" SM



### Reg31

Application	
Design	for flow sensors SM6
Mechanical data	
Weight [g]	178
Materials	Adapter: stainless steel (1.4404 / 316L); Gasket: Centellen 18,5 x 12 x 3 mm
Sensor connection	G 1/2
Process connection	threaded connection G 1/2
Accessories	
Items supplied	O-rings: 2
Remarks	
Pack quantity	2 pcs.