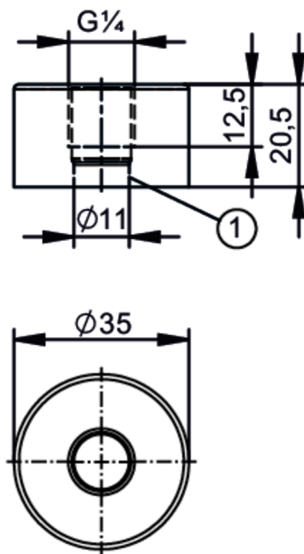


E30503



Welding adapter for process sensors

WELDING ADAPT G1/4



1 sealing area

Application	
Pressure rating [bar]	800
Note on pressure rating	for the connection sensor - adapter
Tests / approvals	
Pressure Equipment Directive	A possible classification to PED depends on the application and has to be carried out by the user / operator.
Safety instructions	The compatibility between medium and product material has to be checked in all applications.
Mechanical data	
Weight [g]	195.8
Materials	stainless steel (1.4404 / 316L)
Sensor connection	G 1/4
Process connection	welding adapter Ø 35 mm
Sealing	Gasket
Remarks	
Pack quantity	1 pcs.