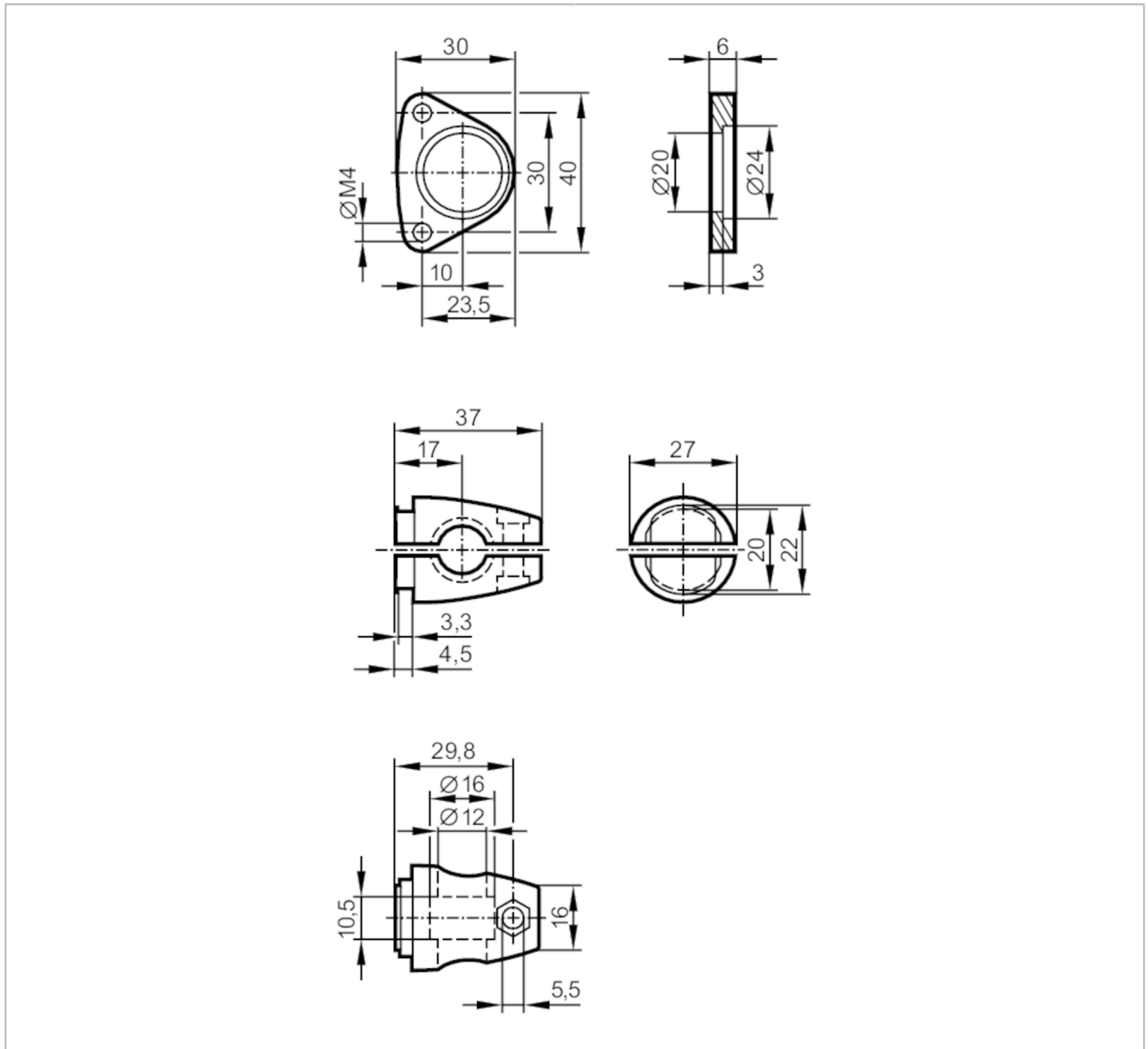


# E2D101



## Mounting set for photoelectric distance sensors

MOUNTING SET O1D 12MM



Application	
Design	clamp mounting
Mechanical data	
Weight [g]	118.5
Type of mounting	Mounting rod; (Ø 12 mm)
Materials	fixture: stainless steel (1.4301 / 304); Clamp: stainless steel (1.4408); screws: stainless steel; nut: stainless steel
Accessories	
Items supplied	socket head screws: 2 x M4 x 45
Remarks	
Pack quantity	1 pcs.