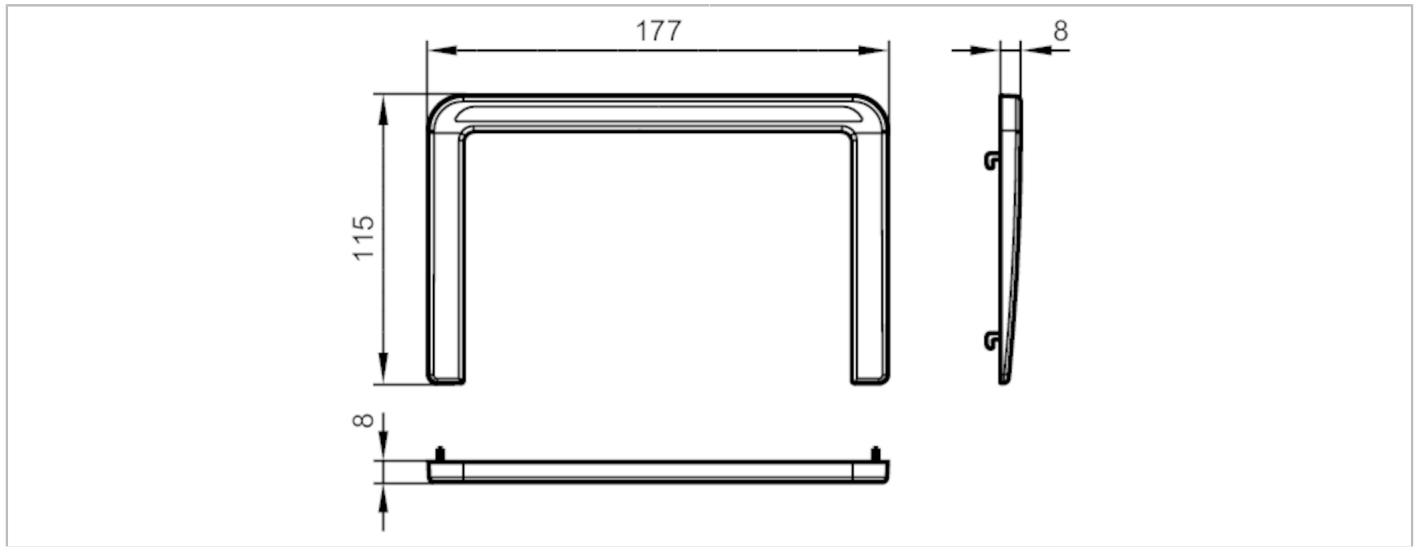


E2M234



Glare protection

SUN VISOR MONITOR SMALL



Mechanical data

| | | |
|-----------|-----|-----------------------|
| Weight | [g] | 24.9 |
| Materials | | Protective cover: ABS |

Remarks

| | | |
|---------------|--|--------|
| Pack quantity | | 1 pcs. |
|---------------|--|--------|