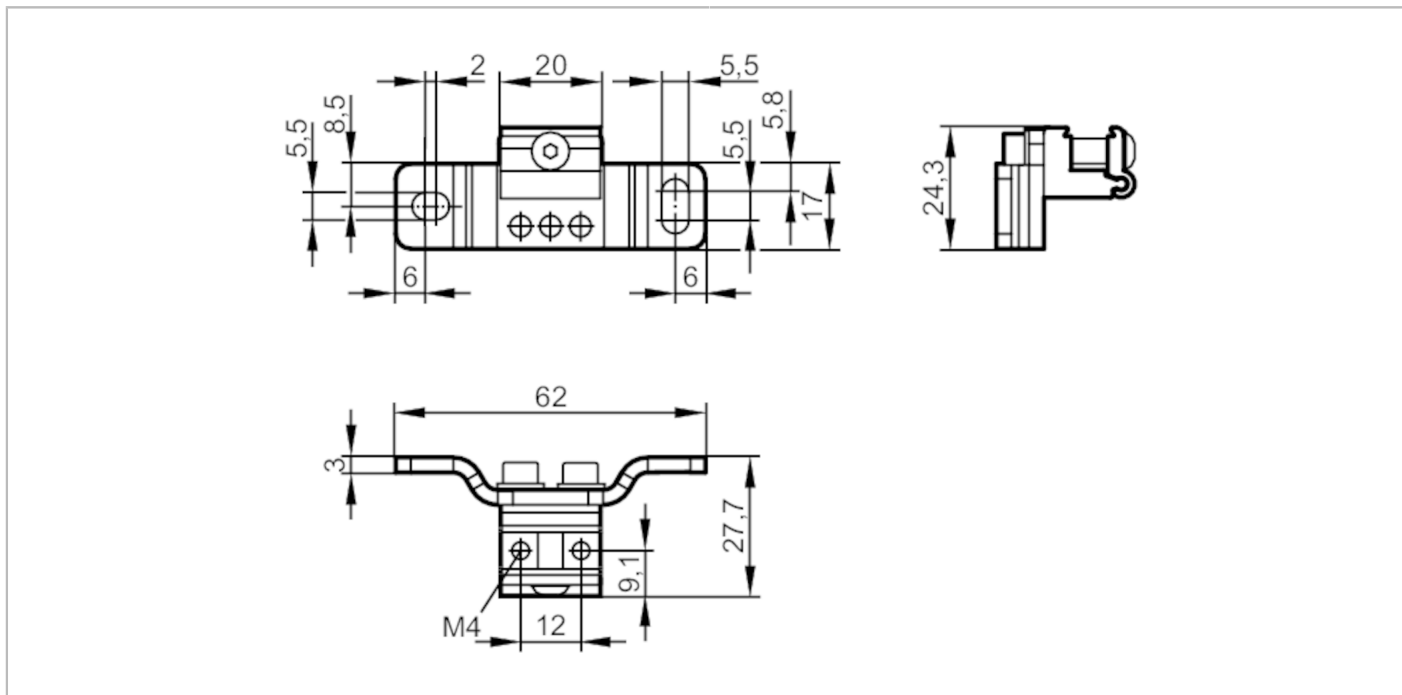


# E21122



## Fixing element

O5 OL CLAMP BRACKET



Application	
Design	for mounting O5, O4 sensors instead of OL sensors
Mechanical data	
Weight [g]	27.5
Materials	AlMgSi0,5; fixture: AlMg3
Remarks	
Pack quantity	1 pcs.