

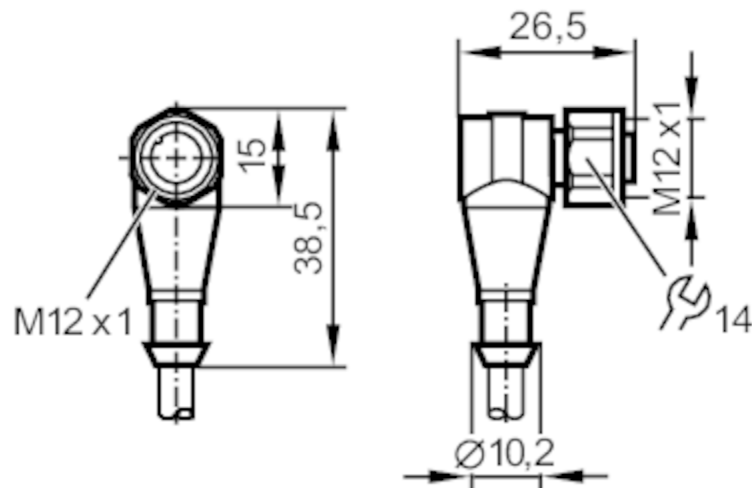
E12230



Connecting cable with socket

ADOAH040VAS0035G04

Article no longer available - archive entry



Application

Special feature	Free from silicone; Gold-plated contacts; Screened cable
Free from silicone	yes

Electrical data

Operating voltage [V]	< 50 AC / < 60 DC
Protection class	III
Max. current load total [A]	4

Operating conditions

Ambient temperature [°C]	-25...100
Protection	IP 67

Mechanical data

Weight [g]	1690.2
Dimensions [mm]	26.5 x 15 x 38.5
Materials	PVC
Moulded-body material	PVC
Material nut	stainless steel (1.4404 / 316L)

Remarks

Pack quantity	1 pcs.
---------------	--------

Electrical connection

Cable: 35 m, PVC, orange, Ø 5.3 mm, shielded; 4 x 0.34 mm² (42 x Ø 0.1 mm)

Electrical connection - socket

Connector: 1 x M12, angled; Moulded body: PVC; Locking: stainless steel (1.4404 / 316L); Contacts: gold-plated; Tightening torque: 0.7...0.9 Nm; Shielded connection cable: screen not connected

E12230

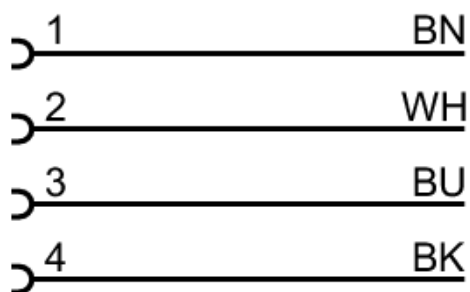


Connecting cable with socket

ADOAH040VAS0035G04



Connection



Core colours :

BK = black
BN = brown
BU = blue
WH = white