

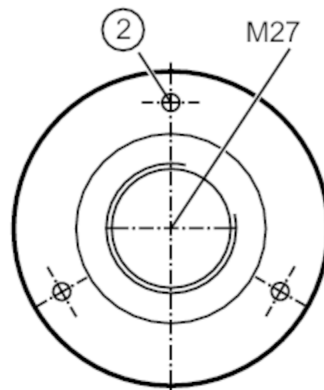
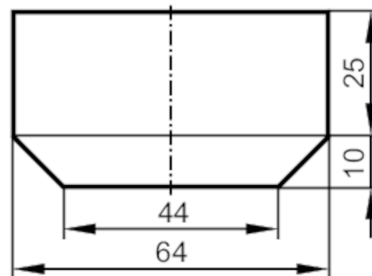
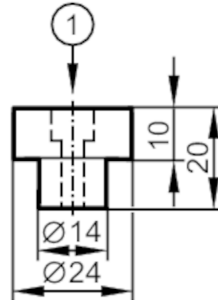
E12010



Mounting adapter for position sensors used on rising stem valves

ADAPTER VALVIS_07

Article no longer available - archive entry



- 1 socket head screw to fix the target on the valve piston
 2 threaded hole M4 to fix the valve sensor on the adapter

Application	
Design	for Georg Fischer diaphragm valve Diastar with mounting kit M16
Mechanical data	
Weight [g]	150
Dimensions [mm]	Ø 64
Materials	Adapter: POM; Target: stainless steel
Accessories	
Items supplied	socket head screw: 1 x M5
Remarks	
Remarks	A stroke limiter from Georg Fischer is needed for assembly.
Pack quantity	1 pcs.