

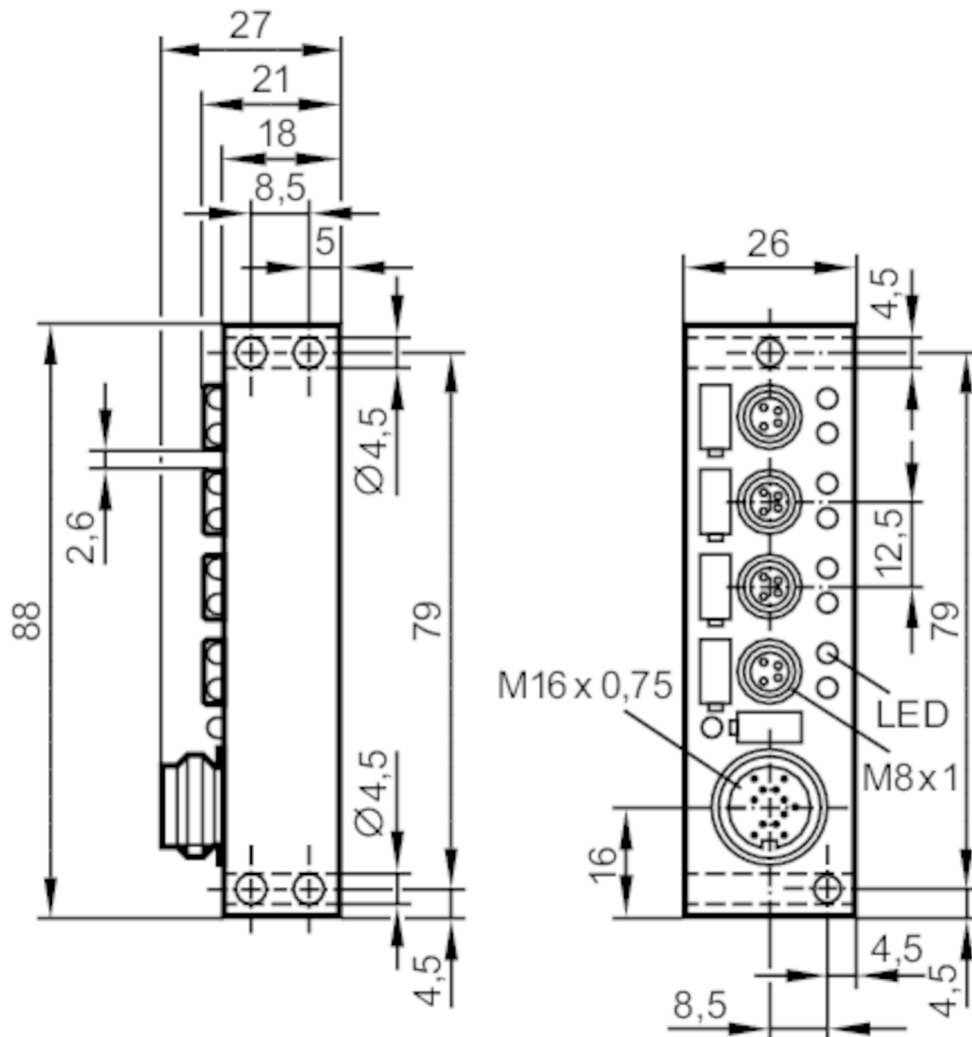
E11219



Splitter box

ZDO4F049MSS0000-STGO120MSS

Article no longer available - archive entry



Application

Special feature Gold-plated contacts

Electrical data

Operating voltage	[V]	10...30 DC
Protection class		III
Max. current load per module/slot	[A]	2
Max. current load total	[A]	6

Operating conditions

Ambient temperature	[°C]	-25...90
Protection		IP 68

E11219



Splitter box

ZDO4F049MSS0000-STGO120MSS

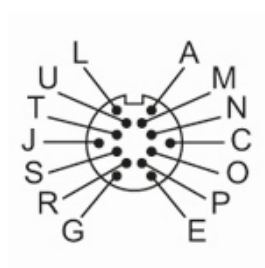
Mechanical data	
Weight [g]	85.8
Materials	PBT-GF20; brass nickel-plated
Moulded-body material	PBT-GF 20 / brass, nickel-plated / PBT-GF 20 / brass, nickel-plated
Number of ports splitter box	4
Connector type	M8

Displays / operating elements		
Display	switching status	8 x LED, yellow
	operation	1 x LED, green

Remarks	
Pack quantity	1 pcs.

Electrical connection - Connection

Connector: 1 x M16; Moulded body: PBT-GF 20 / brass, nickel-plated; Contacts: gold-plated



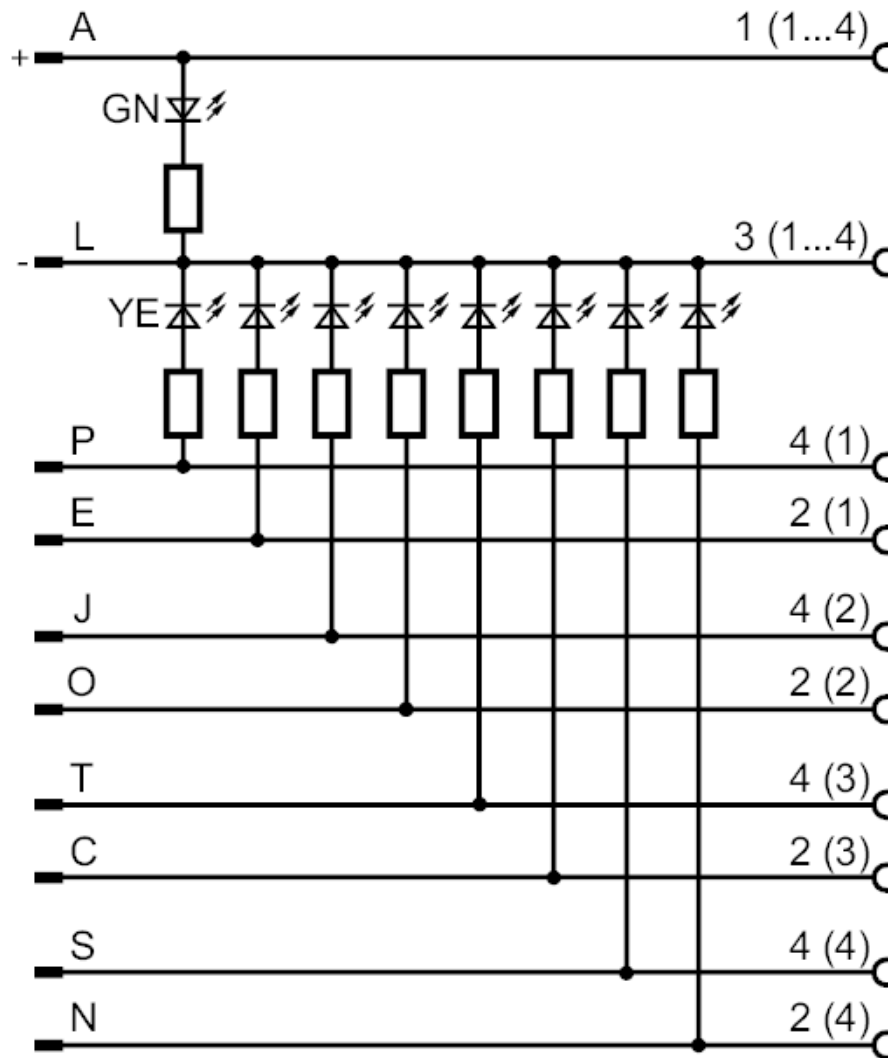
E11219



Splitter box

ZDO4F049MSS0000-STGO120MSS

Connection



Electrical connection - slot

Connector: 4 x M8; Moulded body: PBT-GF 20 / brass, nickel-plated; Contacts: gold-plated

