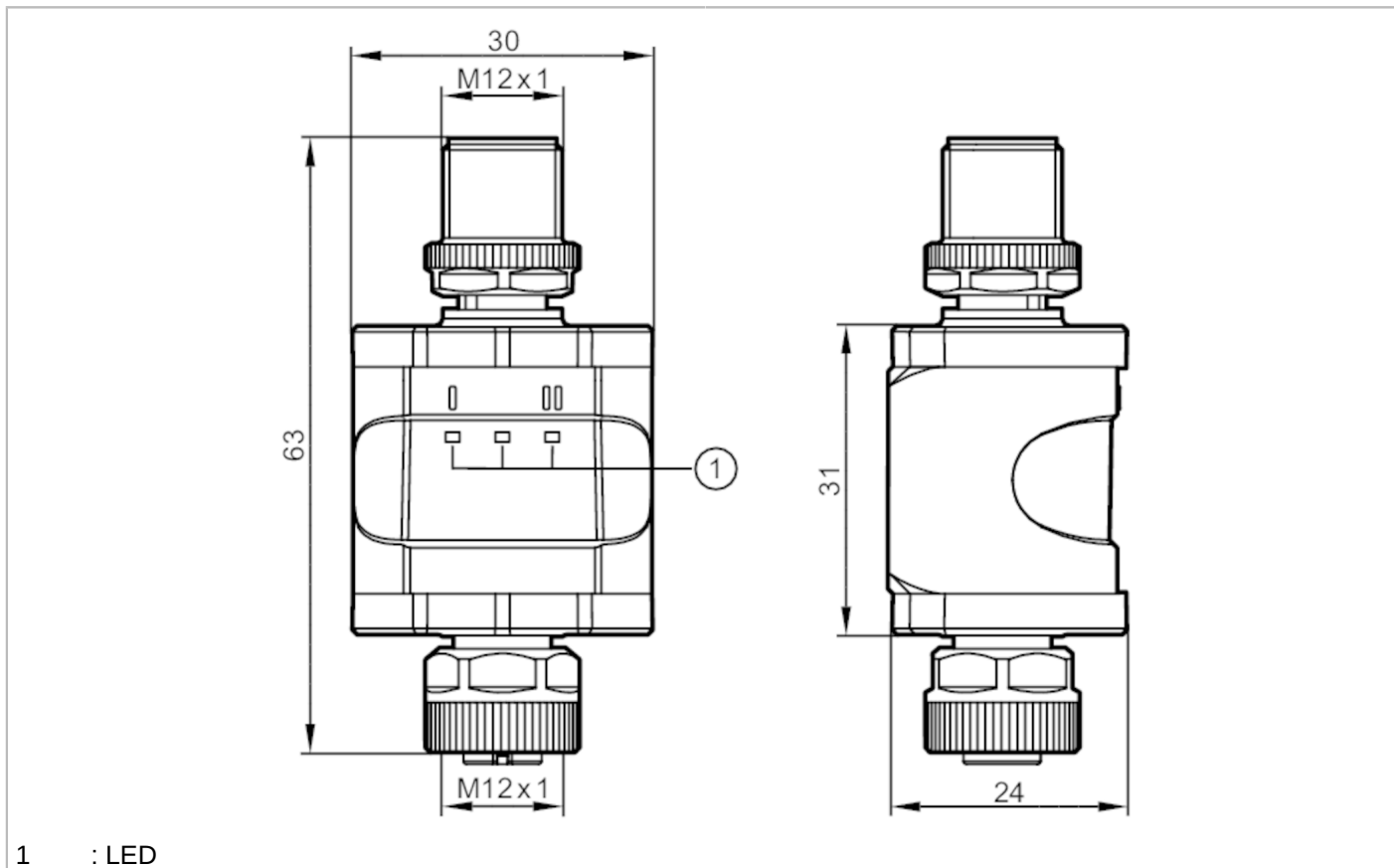


DP1223



Converter IO-Link - 0...10 V

Converter IO-Link/2x0-10V



1 : LED



Product characteristics

Number of inputs and outputs	Number of analogue outputs: 2
------------------------------	-------------------------------

Electrical data

Operating voltage	[V]	18...30 DC; (to SELV/PELV)
Nominal voltage DC	[V]	24
Current consumption	[mA]	300
Max. current load total	[A]	0.2

Inputs / outputs

Number of inputs and outputs	Number of analogue outputs: 2
------------------------------	-------------------------------

Outputs

Number of analogue outputs		2
Analogue voltage output	[V]	0...10
Min. load resistance	[Ω]	3000
Precision analogue output	[%]	0,25

DP1223



Converter IO-Link - 0...10 V

Converter IO-Link/2x0-10V

Interfaces		
Communication interface	IO-Link	
Transmission type	COM2 (38,4 kBaud)	
IO-Link revision	1.1	
SDCI standard	IEC 61131-9	
Profiles	Smart Sensor	
SIO mode	no	
Required master port type	A/B	
Process data analogue	2	
Min. process cycle time [ms]	3.6	
Supported DeviceIDs	Type of operation	DeviceID
	Default	614

Operating conditions	
Ambient temperature [°C]	-25...70
Storage temperature [°C]	-25...70
Max. relative air humidity [%]	90; (linearly decreasing to 50 % (40 °C) non condensing)
Max. height above sea level [m]	4000
Protection	IP 67
Degree of soiling	2

Mechanical data	
Weight [g]	91
Materials	PA: polyamide

Displays / operating elements		
Display	operation	1 x LED, green
	analogue output	2 x LED, yellow

Accessories	
Accessories (optional)	mounting clip

Remarks	
Remarks	For further information please see the operating instructions.
Pack quantity	1 pcs.

Electrical connection - plug



- 1: L+
- 2: not used
- 3: L-
- 4: C/Q IO-Link

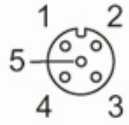
DP1223



Converter IO-Link - 0...10 V

Converter IO-Link/2x0-10V

Electrical connection - socket



1:	L+
2:	0...10 V analogue output 2
3:	L-
4:	0...10 V analogue output 1
5:	not used