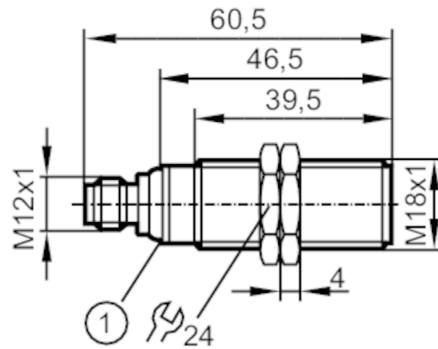




Ultrasonic sensor

UGC00800EOKG/US



1 LEDs



Product characteristics

Electrical design	PNP
Output function	normally open / normally closed; (parameterisable)
Sensing range [mm]	60...800
Housing	threaded type
Dimensions [mm]	M18 x 1 / L = 60.5

Electrical data

Operating voltage [V]	10...30 DC; ("supply class 2" to cULus)
Current consumption [mA]	< 35
Protection class	III
Reverse polarity protection	yes
Power-on delay time [s]	0.1
Converter frequency [kHz]	230

Inputs / outputs

Number of inputs and outputs	Number of digital outputs: 1
------------------------------	------------------------------

Inputs

Synchronisation input	no
Multiplex input	no

Outputs

Total number of outputs	1
Electrical design	PNP
Number of digital outputs	1
Output function	normally open / normally closed; (parameterisable)
Permanent current rating of switching output DC [mA]	100
Switching frequency DC [Hz]	5
Short-circuit protection	yes
Overload protection	yes

UGT201



Ultrasonic sensor

UGC00800EOKG/US

Detection zone		
Sensing range	[mm]	60...800
Blind zone	[mm]	60
Angle of aperture cylindrical	[°]	7; (±2)
Detection range hysteresis	[mm]	< 1
Max. deviation from the 90° angle sensor/object	[°]	± 4
Accuracy / deviations		
Notes on the accuracy / deviation	The indicated values are reached after a warm-up time of min. 20 minutes	
Temperature compensation		yes
Hysteresis	[%]	< 1
Switch point drift	[%]	-2.5...2.5
Linearity error of analogue output	[%]	< 1
Operating conditions		
Ambient temperature	[°C]	-20...70
Protection		IP 67
Tests / approvals		
EMC	EN 61000-4-2 ESD	4 kV CD / plastics 8 kV AD / metal
	EN 61000-4-3 HF radiated	3 V/m
	EN 61000-4-4 Burst	2 kV
	EN 61000-4-6 HF conducted	3 V
	EN 55011	Class A
Vibration resistance	EN 60068-2-6 Fc	(10-55) Hz 1 mm amplitude, oscillation period 5 min., 30 min. per axis at resonance or 55 Hz
Shock resistance	EN 60068-2-27 Ea	yes
MTTF	[years]	235
Mechanical data		
Weight	[g]	56
Housing		threaded type
Dimensions	[mm]	M18 x 1 / L = 60.5
Thread designation		M18 x 1
Materials		PBT; PA; epoxy glass ceramics
Displays / operating elements		
Display	switching status	1 LED, yellow
	echo	1 LED, green
Accessories		
Accessories (supplied)		lock nuts: 2, plastics rubber washers: 2
Remarks		
Remarks		operating voltage "supply class 2" according to cULus
Pack quantity		1 pcs.

Ultrasonic sensor

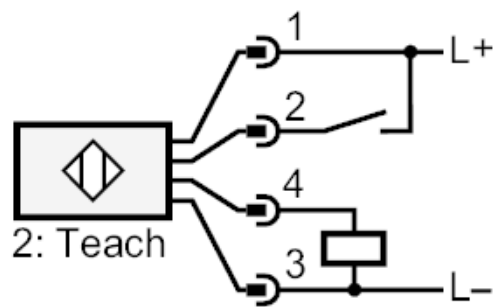
UGC00800EOKG/US

Electrical connection

Connector: 1 x M12

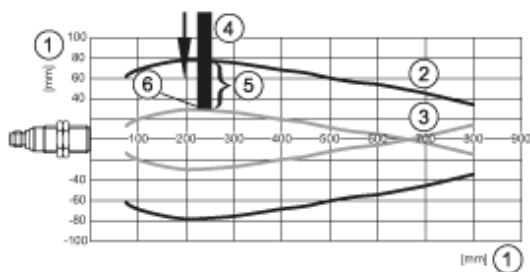
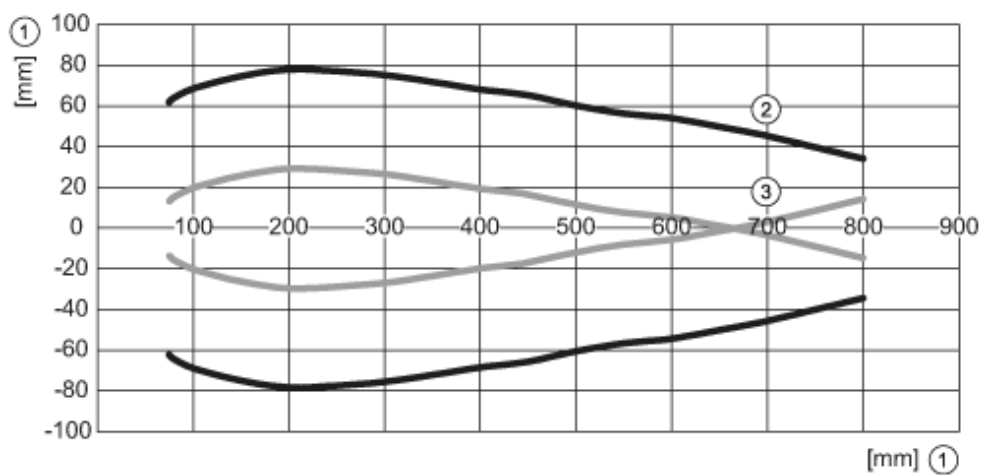


Connection



2: Teach

Diagrams and graphs



- 1: distance
- 2: Detection zone
- 3: switch-on/switch-off graph
- 4: Target 100 x 100 mm
- 5: 50% of the target in the detection zone
- 6: switch point