

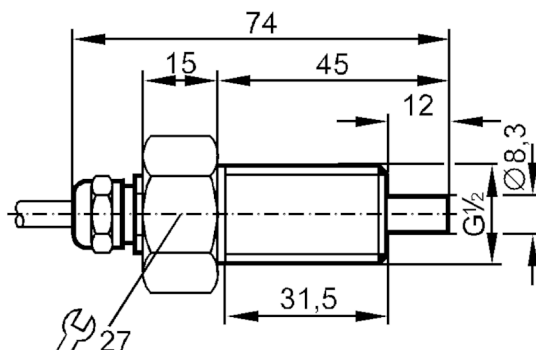
# ST3213



## Flow sensor for connection to an evaluation unit

STR12ABBE1/20m

Article no longer available - archive entry



### Application

Application		Ex zone 1
Medium temperature	[°C]	-25...80
Pressure rating	[bar]	30

### Liquids

Application		Ex zone 1
Medium temperature	[°C]	-25...80

### Gases

Medium temperature	[°C]	-25...80
--------------------	------	----------

### Electrical data

Connection to control monitor		VS 0100 Ex
-------------------------------	--	------------

### Measuring/setting range

#### Liquids

Setting range	[cm/s]	3...300
Greatest sensitivity	[cm/s]	3...60

#### Gases

Setting range	[cm/s]	200...2000
Greatest sensitivity	[cm/s]	100...800

### Accuracy / deviations

Temperature gradient	[K/min]	15
----------------------	---------	----

### Response times

Response time	[s]	1...10
---------------	-----	--------

#### Liquids

Response time	[s]	1...10
---------------	-----	--------

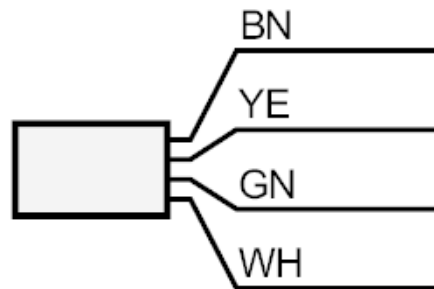
# ST3213



## Flow sensor for connection to an evaluation unit

STR12ABBE1/20m

Gases	
Response time [s]	1...10
Operating conditions	
Protection	IP 67
Mechanical data	
Housing	threaded type
Materials	stainless steel (1.4571/316Ti )
Process connection	G 1/2 external thread
Remarks	
Pack quantity	1 pcs.
Electrical connection	
Cable: 20 m, PUR; 4 x 0.34 mm <sup>2</sup>	
Connection	



	Core colours :
BN =	brown
GN =	green
WH =	white
YE =	yellow

Article no longer available - archive entry