

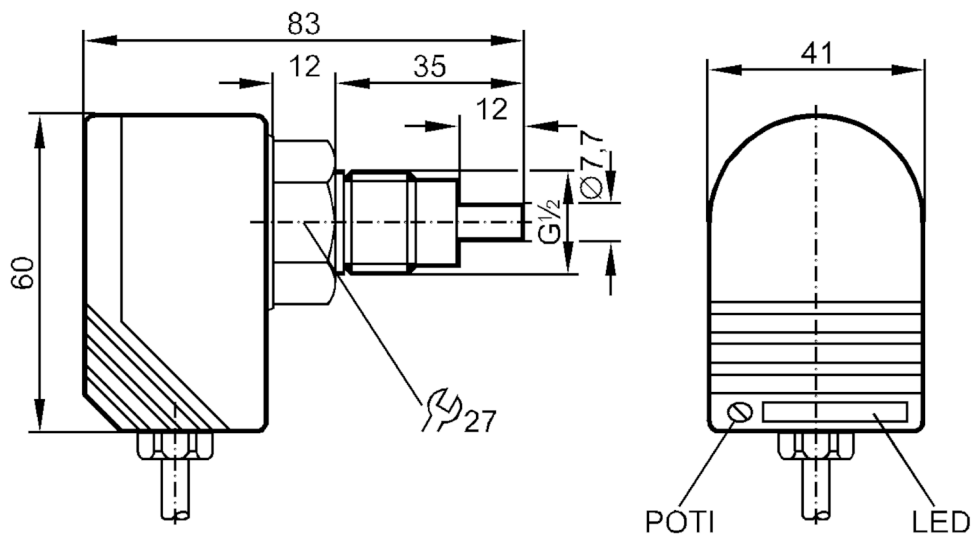
# ST3606



## Flow monitor

SCR12ABBFPG/6M/PH

Article no longer available - archive entry



### Application

Media		Liquids
Medium temperature	[°C]	-25...80
Pressure rating	[bar]	30

### Electrical data

Operating voltage	[V]	20...36 DC
Current consumption	[mA]	< 45
Reverse polarity protection		yes
Power-on delay time	[s]	< 20

### Inputs / outputs

Number of inputs and outputs	Number of digital outputs: 1
------------------------------	------------------------------

### Outputs

Total number of outputs	1
Output signal	switching signal
Electrical design	PNP
Number of digital outputs	1
Output function	normally open / normally closed; (parameterisable)
Max. voltage drop switching output DC	[V] 2.5
Permanent current rating of switching output DC	[mA] 400
Short-circuit protection	yes
Type of short-circuit protection	pulsed
Overload protection	yes

# ST3606



## Flow monitor

SCR12ABBFPKG/6M/PH

Measuring/setting range		
Setting range	[cm/s]	3...300
Greatest sensitivity	[cm/s]	3...60
Accuracy / deviations		
Temperature gradient	[K/min]	15
Response times		
Response time	[s]	1...10
Software / programming		
Adjustment of the switch point		potentiometer
Operating conditions		
Ambient temperature	[°C]	-20...80
Protection		IP 67
Mechanical data		
Dimensions	[mm]	60 x 41 x 83
Materials		PBT-GF20
Materials (wetted parts)		stainless steel (1.4571/316Ti )
Process connection		G 1/2 external thread
Displays / operating elements		
Display	function	11 x LED
Accessories		
Accessories (supplied)		sealings: 2 x AMF 30 screwdrivers
Remarks		
Pack quantity		1 pcs.

# ST3606



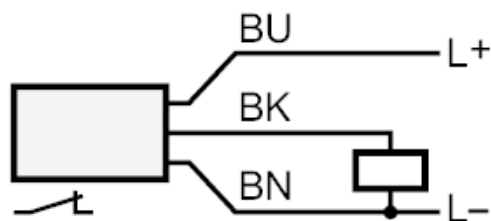
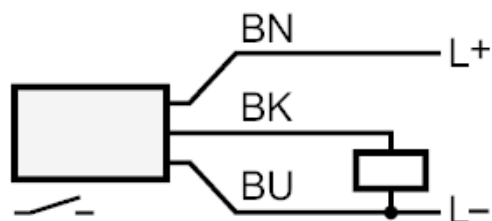
## Flow monitor

SCR12ABBFPKG/6M/PH

### Electrical connection

Cable: 6 m, PUR; 3 x 0.5 mm<sup>2</sup>

### Connection



Core colours :

BN = brown  
BU = blue  
BK = black

Article no longer available - archive entry