

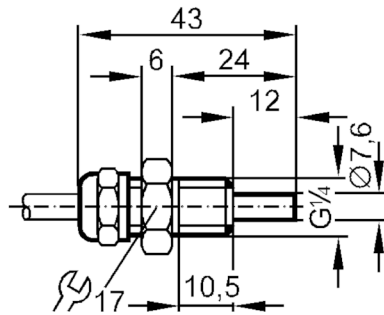
ST2000



Flow sensor for connection to an evaluation unit

STR14ABA

Article no longer available - archive entry



Product characteristics

Process connection G 1/4 external thread

Application

Application high-temperature range

Media Liquids; Gases

Medium temperature [°C] -25...80

Pressure rating [bar] 30

Liquids

Application high-temperature range

Medium temperature [°C] -25...80

Gases

Medium temperature [°C] -25...80

Electrical data

Connection to control monitor VS 0100

Measuring/setting range

Liquids

Setting range [cm/s] 3...300

Greatest sensitivity [cm/s] 3...60

Gases

Setting range [cm/s] 5...1500

Accuracy / deviations

Temperature gradient [K/min] 15

Response times

Response time [s] 1...10

Liquids

Response time [s] 1...10

Gases

Response time [s] 1...10

Operating conditions

Protection IP 67

ST2000



Flow sensor for connection to an evaluation unit

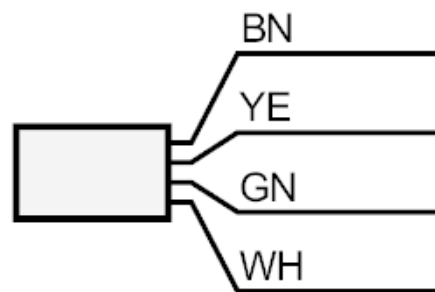
STR14ABA

Mechanical data	
Housing	threaded type
Materials	stainless steel (1.4305 / 303)
Process connection	G 1/4 external thread

Remarks	
Pack quantity	1 pcs.

Electrical connection	
Cable: 2 m, Silflex-PUR; Maximum cable length: 100 m; 4 x 0.5 mm ²	

Connection



Core colours :

BK =	black
BN =	brown
BU =	blue
WH =	white