

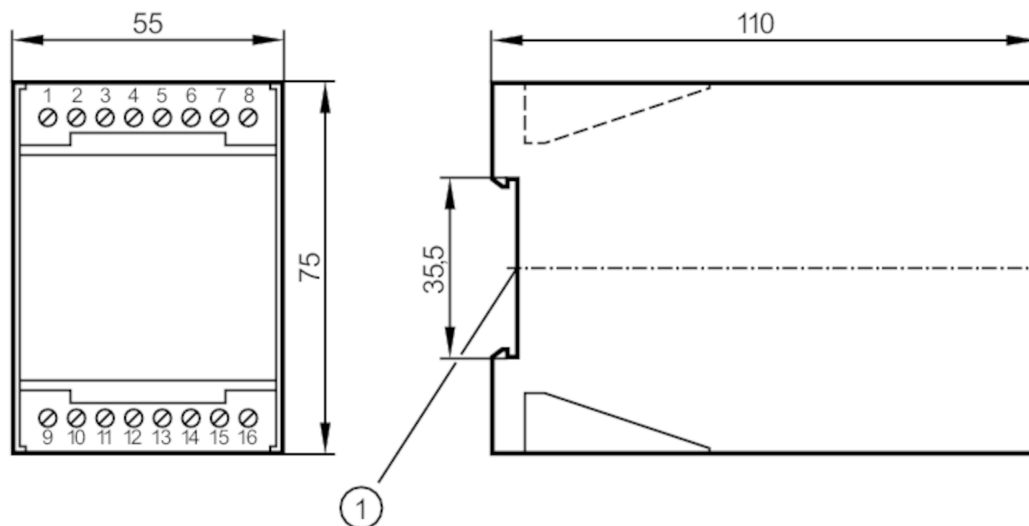
SN0112



Control monitor for flow sensors

VS0200/110VAC/EX

Article no longer available - archive entry



1 mounting on DIN rail

Application

Application Flow monitoring; Wire monitoring

Electrical data

Operating voltage tolerance	[%]	-10...10
Operating voltage	[V]	< 110 AC
Power-on delay time	[s]	30

Outputs

Electrical design	relay
Contact rating	4 A, 250 V AC / cos phi > 07
Switching function flow monitoring	relay energised when flow is present
Switching function wire break monitoring	relay de-energised in case of wire break

Software / programming

Adjustment of the switch point	potentiometer
Selection liquids / gases	slide switch

Operating conditions

Ambient temperature	[°C]	-20...60
Protection		IP 40
Protection rating terminals		IP 20

Tests / approvals

Approval	PTB Ex-94.C.2030X
----------	-------------------

SN0112



Control monitor for flow sensors

VS0200/110VAC/EX

Safety classification		
Designation	in protection rating intrinsic safety	
Voltage [V]	15,8	
Current [mA]	228	
Power [mW]	1410	
[Ex ia] IIC designation	[EEx ia] IIC	
[Ex ia] IIB designation	[EEx ia] IIB	
[Ex ib] IIC designation	[EEx ib] IIC	
[Ex ib] IIB designation	[EEx ib] IIB	
[Ex ia] IIC inductance	350µH	
[Ex ia] IIB inductance	1mH / 2mH	
[Ex ib] IIC inductance	350µH	
[Ex ib] IIB inductance	3.1mH	
[Ex ia] IIC capacitance	57nF	
[Ex ia] IIB capacitance	493nF / 294nF	
[Ex ib] IIC capacitance	477nF	
[Ex ib] IIB capacitance	1.9µF	
Mechanical data		
Housing	housing for DIN rail mounting	
Dimensions [mm]	75 x 55 x 110	
Materials	plastics	
Displays / operating elements		
Display	function	11 x LED
	switching status	LED, red
Remarks		
Remarks	Caution The control monitor must be mounted outside the hazardous area.	
Pack quantity	1 pcs.	

SN0112



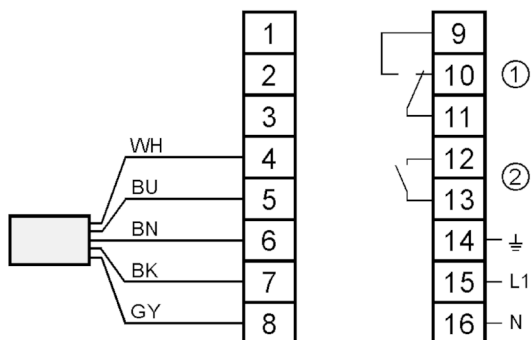
Control monitor for flow sensors

VS0200/110VAC/EX

Electrical connection

terminals: 16 x ...2.5 mm²

Connection



1: Relais Flow monitoring

2: Relais Wire monitoring

Core colours :

BN = brown

BU = blue

BK = black

WH = white

GY = grey

Article no longer available - archive entry