

PM2064

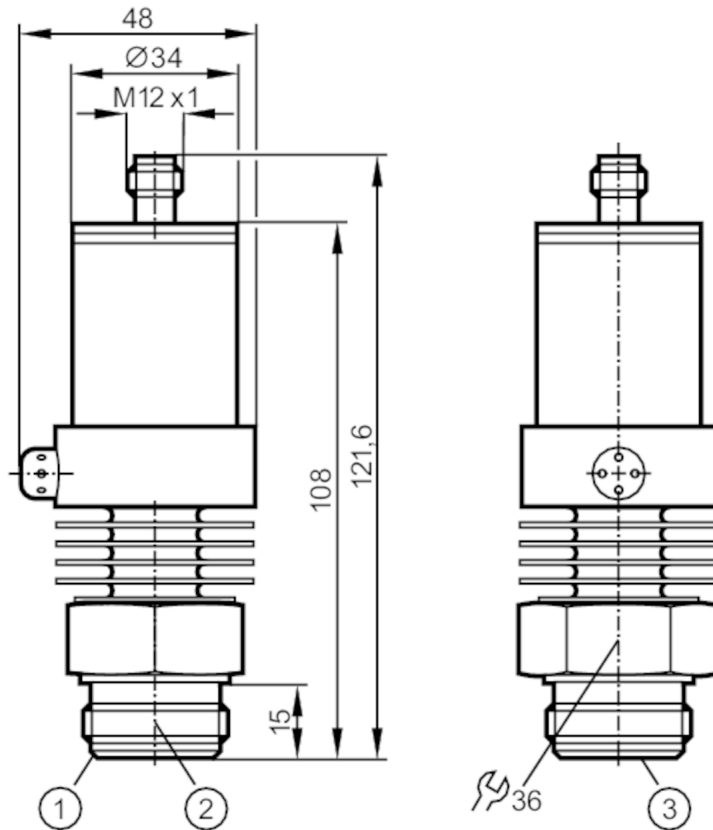


Flush pressure transmitter

PM-010-RES30-E-ZVG/US/ IP

Article no longer available - archive entry

replaced by: PM2054



- 1 Aseptoflex sealing edge
- 2 Aseptoflex thread
- 3 diaphragm : PTFE



Application

Application	hygienic systems		
Media	liquid and viscous media		
Medium temperature [°C]	-25...125; (145 max. 1h)		
Pressure rating	50 bar	725 psi	5000 kPa
Min. bursting pressure	150 bar	2175 psi	15000 kPa
Type of pressure	relative pressure		
No dead space	yes		

Electrical data

Operating voltage [V]	14...30 DC; (operating voltage "supply class 2" according to cULus)		
Min. insulation resistance [MΩ]	100; (500 V DC)		
Protection class	III		
Reverse polarity protection	yes		

Inputs / outputs

Number of inputs and outputs	Number of analogue outputs: 1
------------------------------	-------------------------------



Flush pressure transmitter

PM-010-RES30-E-ZVG/US/ IP

Outputs			
Total number of outputs	1		
Output signal	analogue signal		
Number of analogue outputs	1		
Analogue current output [mA]	4...20		
Max. load [Ω]	550; ($U_b = 24\text{ V}$; ($U_b - 13\text{ V}$) / 20 mA)		
Overload protection	yes		
Measuring/setting range			
Measuring range	-0.5...10 bar	-7...145 psi	-50...1000 kPa
Analogue start point	-0.5...7.49 bar	-7...109 psi	-50...749 kPa
Analogue end point	2...9.99 bar	29...145 psi	200...999 kPa
In steps of	0.01 bar	1 psi	1 kPa
Accuracy / deviations			
Repeatability [% of the span]	< $\pm 0,1$; (with temperature fluctuations < 10 K; Turn down 1:1)		
Characteristics deviation [% of the span]	< $\pm 0,6$; (Turn down 1:1 linearity, incl. hysteresis and repeatability limit value setting to DIN 16086)		
Linearity deviation [% of the span]	< $\pm 0,5$; (Turn down 1:1)		
Hysteresis deviation [% of the span]	< $\pm 0,1$; (Turn down 1:1)		
Long-term stability [% of the span]	< $\pm 0,1$; (Turn down 1:1; per year)		
Temperature coefficient zero point [% of the span / 10 K]	< $\pm 0,15$; (0...80 °C)		
Temperature coefficient span [% of the span / 10 K]	< $\pm 0,4$; (0...80 °C)		
Response times			
Max. response time analogue output [ms]	3		
Software / programming			
Parameter setting options	zero point; span		
Interfaces			
Communication interface	EPS		
Operating conditions			
Ambient temperature [°C]	-25...80		
Storage temperature [°C]	-40...100		
Protection	IP 67		
Tests / approvals			
EMC	EN 61000-4-2 ESD	4 kV CD / 8 kV AD	
	EN 61000-4-3 HF radiated	10 V/m	
	EN 61000-4-4 Burst	2 kV	
	EN 61000-4-6 HF conducted	10 V	
Shock resistance	DIN IEC 68-2-27	50 g (11 ms)	
Vibration resistance	DIN IEC 68-2-6	20 g (10...2000 Hz)	

PM2064



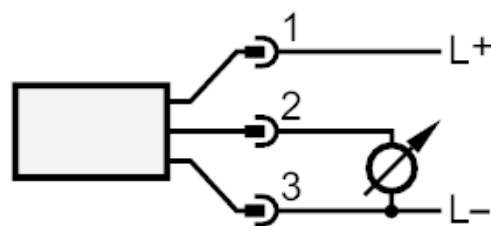
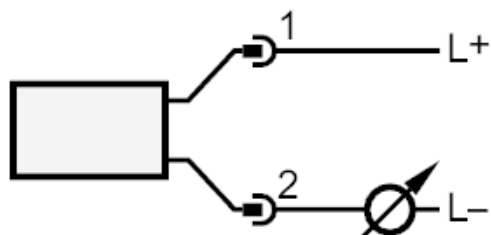
Flush pressure transmitter

PM-010-RES30-E-ZVG/US/ IP

Mechanical data	
Materials	stainless steel (1.4404 / 316L); PA; PBT
Materials (wetted parts)	stainless steel (1.4435 / 316L); PTFE on ceramic substrate; PTFE
Min. pressure cycles	100 million
Process connection	threaded connection Aseptoflex external thread Aseptoflex
Remarks	
Pack quantity	1 pcs.

Electrical connection	
Connector: 1 x M12	
	

Connection



Article no longer available - archive entry

replaced by: PM2054