

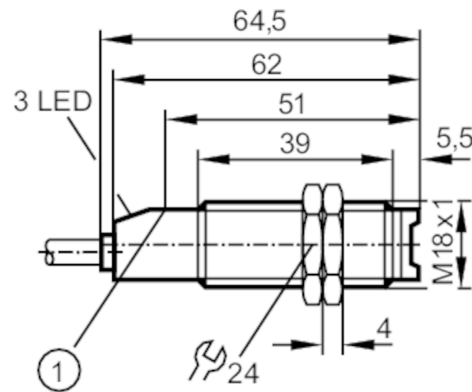


## Through-beam sensor receiver

OGE-FPKG

Article no longer available - archive entry

replaced by: OGE502



1 pushbutton

### Product characteristics

Type of light	infrared light
Housing	threaded type
Dimensions [mm]	M18 x 1 / L = 64.5

### Application

Function principle	Through-beam sensor
--------------------	---------------------

### Electrical data

Operating voltage [V]	10...36 DC
Current consumption [mA]	< 22
Protection class	II
Reverse polarity protection	yes
Type of light	infrared light
Wave length [nm]	880

### Outputs

Electrical design	PNP
Output function	light-on/dark-on mode; (parameterisable)
Max. voltage drop switching output DC [V]	2.5
Permanent current rating of switching output DC [mA]	200
Switching frequency DC [Hz]	500
Short-circuit protection	yes
Type of short-circuit protection	pulsed
Overload protection	yes

### Detection zone

Transmitter / receiver	receiver
Range [m]	< 15
Range adjustable	yes

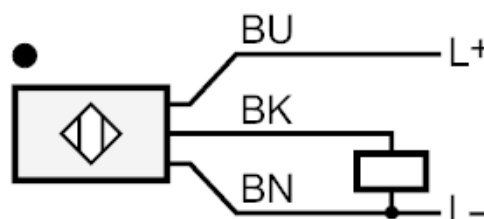
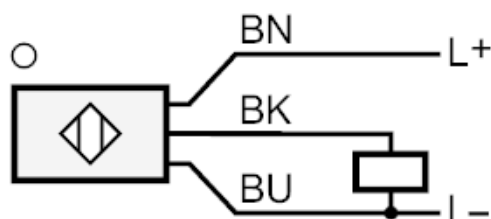
# OG5041



## Through-beam sensor receiver

OGE-FPKG

Operating conditions		
Ambient temperature	[°C]	-25...80
Protection		IP 67
Tests / approvals		
EMC	EN 60947-5-2	
	EN 55011	class B
Mechanical data		
Housing		threaded type
Dimensions	[mm]	M18 x 1 / L = 64.5
Thread designation		M18 x 1
Materials		PBT
Lens material		PMMA
Displays / operating elements		
Display	switching status	1 x LED, yellow
	operation	1 x LED, green
	function	1 x LED, red
Accessories		
Accessories (supplied)		lock nuts: 2 x
Remarks		
Remarks		operating voltage "supply class 2" according to cULus
Pack quantity		1 pcs.
Electrical connection		
Cable: 2 m, PVC; 3 x 0.34 mm <sup>2</sup>		
Connection		



Core colours :

- BN = brown
- BU = blue
- BK = black

# OG5041

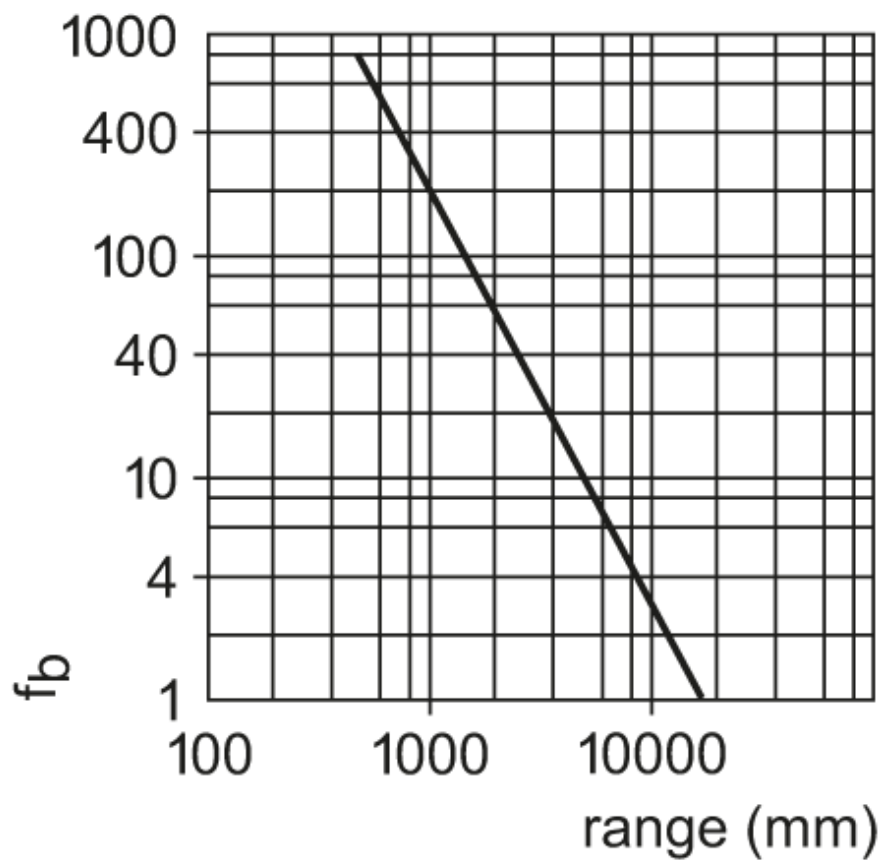


## Through-beam sensor receiver

OGE-FPKG

### Diagrams and graphs

excess gain graph



Article no longer available - archive entry

replaced by: OGE502