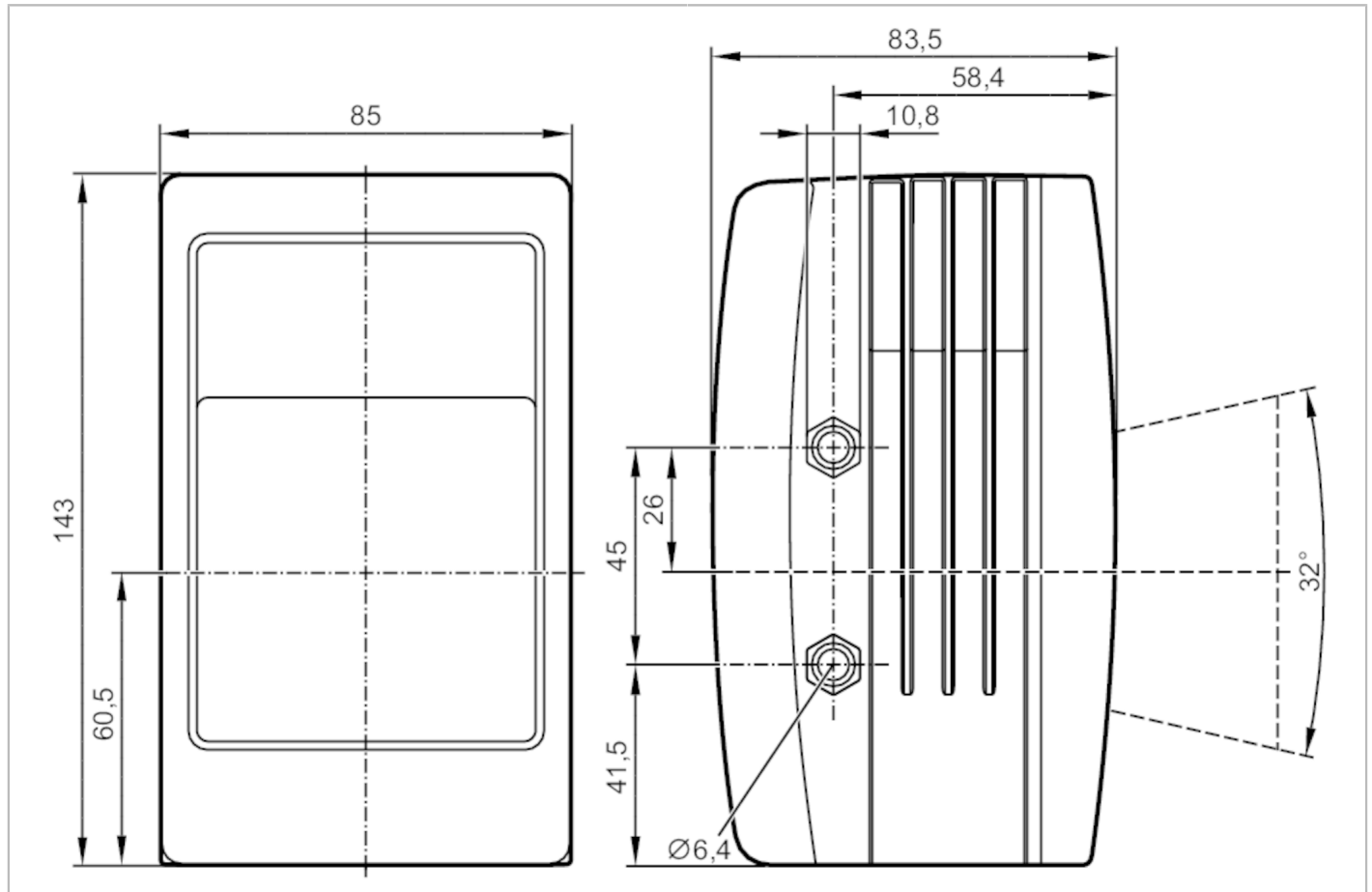


O3M960



IR illumination unit

O3MIOOKG/GM/95



Product characteristics	
Type of light	infrared light
Angle of aperture [°]	95 x 32
Image repetition frequency 3D [Hz]	25 / 33 / 50
Dimensions [mm]	143 x 85 x 83.5
Electrical data	
Operating voltage [V]	9...32 DC
Current consumption [mA]	< 5000
Power consumption [W]	45
Protection class	III
Type of light	infrared light
Wave length [nm]	850
Detection zone	
Angle of aperture [°]	95 x 32
Image repetition frequency 3D [Hz]	25 / 33 / 50
Software / programming	
Parameter setting options	Via PC and O3M16x / O3M26x with ifm Vision Assistant

O3M960



IR illumination unit

O3MIOOKG/GM/95

Interfaces		
Communication interface		MCI
Operating conditions		
Ambient temperature	[°C]	-40...85
Note on ambient temperature		with high image repetition frequency of 25 Hz
Storage temperature	[°C]	-40...105
Protection		IP 67; IP 69K; (with mounted connectors or protective caps)
Tests / approvals		
EMC	DIN EN 61000-6-4	industrial environments
	DIN EN 61000-6-2	industrial environments
Shock resistance	DIN EN 60068-2-27	30 g / 6 ms bump
Vibration resistance	DIN EN 60068-2-6	10 g / 10...500 Hz swept sine
	DIN EN 60068-2-64	10...2000 Hz noise
Photobiological safety		risk group 1; (DIN EN 62471)
Electrical protection	DIN EN 61010-2-201	electric shock / electrical supply only via PELV circuits
MTTF	[years]	77.19
Mechanical data		
Weight	[g]	1331
Dimensions	[mm]	143 x 85 x 83.5
Materials		diecast aluminium
Remarks		
Remarks		The illumination unit is required for the operation of the sensor. Only use original ifm cables to connect sensor and illumination unit.
Pack quantity		1 pcs.
Electrical connection		
1	GND	
2	9...32 V	
3	9...32 V	
4	GND	
Connector: 1 x M12		
