

# IIT22A

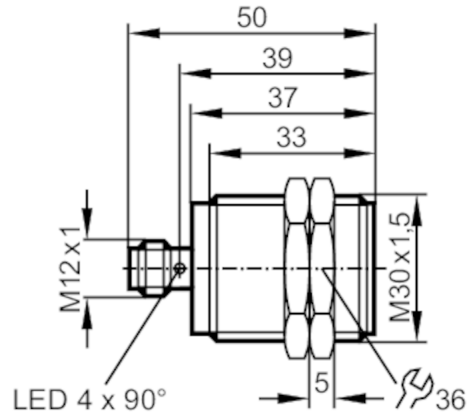


## Inductive sensor

IIB3014BBPKG/M/V4A/US/3D/3G

Article no longer available - archive entry

replaced by: II502A



### Product characteristics

Electrical design	PNP
Output function	normally open
Sensing range [mm]	14
Housing	threaded type
Dimensions [mm]	M30 x 1.5 / L = 50

### Application

Special feature	Gold-plated contacts; Increased sensing range
Application	Use in wet areas and in the food and beverage industry

### Electrical data

Operating voltage [V]	10...36 DC
Current consumption [mA]	10; (24 V)
Protection class	II
Reverse polarity protection	yes

### Outputs


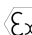
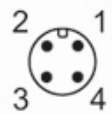
Electrical design	PNP
Output function	normally open
Max. voltage drop switching output DC [V]	2.5
Permanent current rating of switching output DC [mA]	100
Short-time current rating of switching output [mA]	100
Switching frequency DC [Hz]	100
Short-circuit protection	yes
Type of short-circuit protection	pulsed
Overload protection	yes

# IIT22A



## Inductive sensor

IIB3014BBPKG/M/V4A/US/3D/3G

Detection zone		
Sensing range	[mm]	14
Operating distance	[mm]	0...11.34
Increased sensing range		yes
Accuracy / deviations		
Correction factor		steel: 1 / stainless steel: 0.7 / brass: 0.4 / aluminium: 0.4 / copper: 0.3
Hysteresis	[% of Sr]	1...20
Operating conditions		
Ambient temperature	[°C]	0...60
Protection		IP 67
Tests / approvals		
ATEX marking		 II 3G Ex nA II T6 X
		 II 3D Ex tD A22 IP67 T80°C X
EMC	EN 61000-4-2 ESD	4 kV CD / 8 kV AD
	EN 61000-4-3 HF radiated	10 V/m
	EN 61000-4-4 Burst	2 kV
	EN 61000-4-6 HF conducted	10 V
	EN 55011	class B
MTTF	[years]	1590
Mechanical data		
Weight	[g]	0.142
Housing		threaded type
Mounting		flush mountable
Dimensions	[mm]	M30 x 1.5 / L = 50
Thread designation		M30 x 1.5
Materials		stainless steel (1.4404 / 316L); sensing face: PEEK
Displays / operating elements		
Display	switching status	4 x 90° LED, yellow
Accessories		
Accessories (supplied)		lock nuts: 2
Remarks		
Pack quantity		1 pcs.
Electrical connection - plug		
Connector: 1 x M12; Contacts: gold-plated		
		

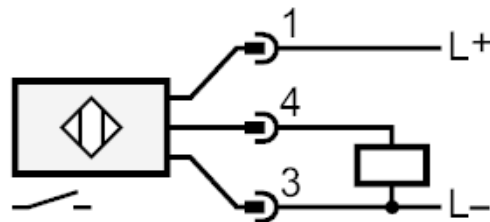
# IIT22A



## Inductive sensor

IIB3014BBPKG/M/V4A/US/3D/3G

### Connection



Article no longer available - archive entry

replaced by: II502A