

# II5810

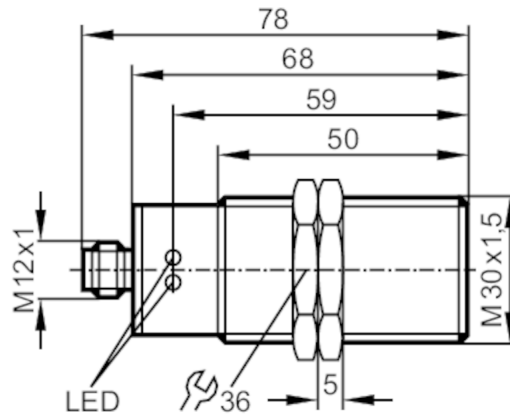


## Inductive sensor

IIA2010-ASI /US-100

Article no longer available - archive entry

Alternative article: IIC220 When selecting an alternative article and accessories please note that technical data may differ! – When selecting an alternative article and accessories please note that technical data may differ!




Product characteristics		
Electrical design		AS-i
Sensing range	[mm]	10
Housing		threaded type
Dimensions	[mm]	M30 x 1.5 / L = 78
Electrical data		
Operating voltage	[V]	26.5...31.6 DC
Current consumption	[mA]	< 30
Protection class		II
Reverse polarity protection		yes
Outputs		
Electrical design		AS-i
Short-circuit protection		yes
Type of short-circuit protection		pulsed
Overload protection		yes
Detection zone		
Sensing range	[mm]	10
Operating conditions		
Ambient temperature	[°C]	-25...70
Protection		IP 67
Tests / approvals		
EMC	EN 60947-5-2	
	EN 55011	class B

# II5810



## Inductive sensor

IIA2010-ASI /US-100

AS-i classification						
AS-i I/O configuration	[hex]	1				
AS-i ID code	[hex]	1				
AS-i certificate		02901				
Assignment of the data bits		Designation	switching signal	safe zone	readiness for operation	not used
Mechanical data						
Housing		threaded type				
Mounting		flush mountable				
Dimensions	[mm]	M30 x 1.5 / L = 78				
Thread designation		M30 x 1.5				
Materials		brass white bronze coated; sensing face: PBT				
Displays / operating elements						
Display		switching status		1 x LED, yellow		
		unsafe zone		1 x LED, red sensor coil wire break, sensor coil short circuit Sr: 0...10 % (< 10 Hz) Sn: 80...115 % (< 10 Hz)		
Accessories						
Accessories (supplied)		lock nuts: 2				
Remarks						
Remarks		Assured range: approx. 10...80 % of Sn				
Pack quantity		1 pcs.				
Electrical connection - plug						
Connector: 1 x M12						
						

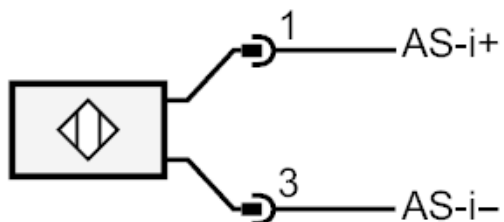
# II5810



## Inductive sensor

IIA2010-ASI /US-100

### Connection



Article no longer available - archive entry

Alternative article: IIC220 When selecting an alternative article and accessories please note that technical data may differ! – When selecting an alternative article and accessories please note that technical data may differ!