

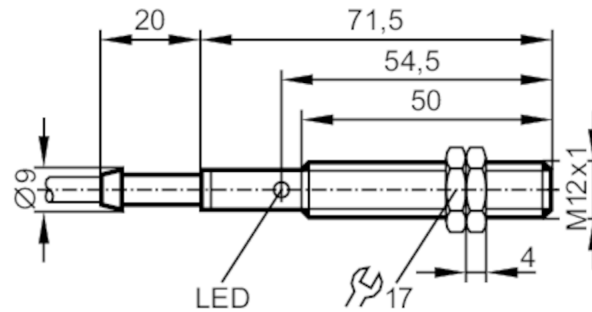
IF0188



Inductive sensor

IFA2002-BBOW/V4A

Article no longer available - archive entry



Electrical data

| | | |
|-----------------------------|------|-------------|
| Frequency AC | [Hz] | 47...63 |
| Operating voltage | [V] | 90...250 AC |
| Protection class | | II |
| Reverse polarity protection | | no |

Outputs

| | | |
|---|------|-------------------------------|
| Output function | | normally closed |
| Max. voltage drop switching output AC | [V] | 8.5 |
| Minimum load current | [mA] | 8 |
| Max. leakage current | [mA] | 3 (250 V AC) / 1.5 (120 V AC) |
| Permanent current rating of switching output AC | [mA] | 200; (250 (...50 °C)) |
| Short-time current rating of switching output | [mA] | 900; (20 ms / 0,5 Hz) |
| Switching frequency AC | [Hz] | 25 |
| Short-circuit protection | | no |
| Overload protection | | no |

Detection zone

| | | |
|-----------------------|------|----------|
| Sensing range | [mm] | 2 |
| Real sensing range Sr | [mm] | 2 ± 10 % |
| Operating distance | [mm] | 0...1.6 |

Accuracy / deviations

| | | |
|--------------------|-----------|---|
| Correction factor | | steel: 1 / stainless steel: 0.7 / brass: 0.4 / aluminium: 0.3 / copper: 0.2 |
| Hysteresis | [% of Sr] | 1...15 |
| Switch point drift | [% of Sr] | -10...10 |

Operating conditions

| | | |
|---------------------|------|----------|
| Ambient temperature | [°C] | -25...80 |
| Protection | | IP 67 |

IF0188



Inductive sensor

IFA2002-BBOW/IV4A

| Mechanical data | |
|--------------------|--------------------------------------|
| Housing | threaded type |
| Mounting | flush mountable |
| Dimensions [mm] | M12 x 1 / L = 71.5 |
| Thread designation | M12 x 1 |
| Materials | stainless steel (1.4571/316Ti); PBT |

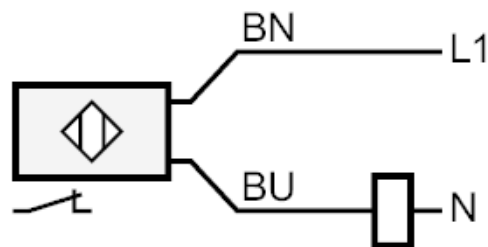
| Displays / operating elements | | |
|-------------------------------|------------------|-----------------|
| Display | switching status | 1 x LED, yellow |

| Accessories | |
|------------------------|--------------|
| Accessories (supplied) | lock nuts: 2 |

| Remarks | |
|---------------|--------|
| Pack quantity | 1 pcs. |

| Electrical connection | |
|--|--|
| Cable: 2 m, PVC; 2 x 0.5 mm ² | |

Connection



Core colours :

BN = brown

BU = blue

Article no longer available - archive entry