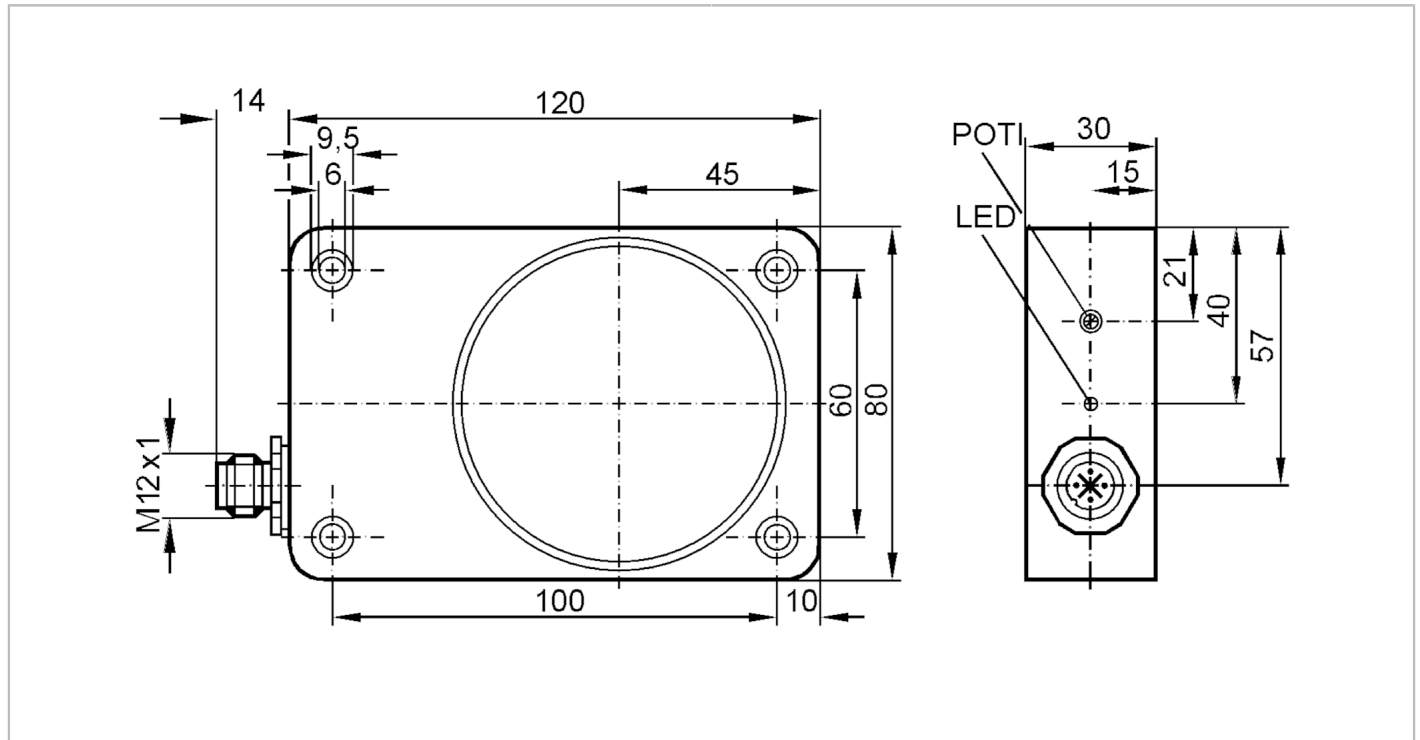


ID5063



Inductive sensor

ID-3050-BPKG/PP/US-100-DPS



Electrical data

Operating voltage	[V]	10...36 DC
Current consumption	[mA]	15; (24 V)
Protection class		II
Reverse polarity protection		yes

Outputs

Electrical design		PNP
Output function		normally open
Max. voltage drop switching output DC	[V]	2.5
Permanent current rating of switching output DC	[mA]	250
Switching frequency DC	[Hz]	8
Short-circuit protection		yes
Type of short-circuit protection		pulsed
Overload protection		yes

Detection zone

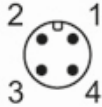
Sensing range	[mm]	50
Sensing range adjustable		yes
Factory setting sensing range	[mm]	50
Real sensing range S_r	[mm]	$50 \pm 10 \%$
Operating distance	[mm]	0...40.5

ID5063



Inductive sensor

ID-3050-BPKG/PP/US-100-DPS

Accuracy / deviations		
Correction factor	steel: 1 / stainless steel: 0.7 / brass: 0.5 / aluminium: 0.4 / copper: 0.3	
Hysteresis [% of Sr]	1...15	
Switch point drift [% of Sr]	-10...10	
Operating conditions		
Ambient temperature [°C]	-25...80	
Protection	IP 67	
Tests / approvals		
EMC	EN 60947-5-2	
	EN 55011	class B
MTTF [years]	1390	
Mechanical data		
Weight [g]	474.5	
Housing	rectangular	
Mounting	non-flush mountable	
Dimensions [mm]	120 x 80 x 30	
Materials	PP; connector housing: stainless steel (1.4571/316Ti)	
Displays / operating elements		
Display	switching status	1 x LED, yellow
Accessories		
Accessories (supplied)	screwdriver: 1	
Remarks		
Pack quantity	1 pcs.	
Electrical connection - plug		
Connector: 1 x M12		
		

ID5063



Inductive sensor

ID-3050-BPKG/PP/US-100-DPS

Connection

