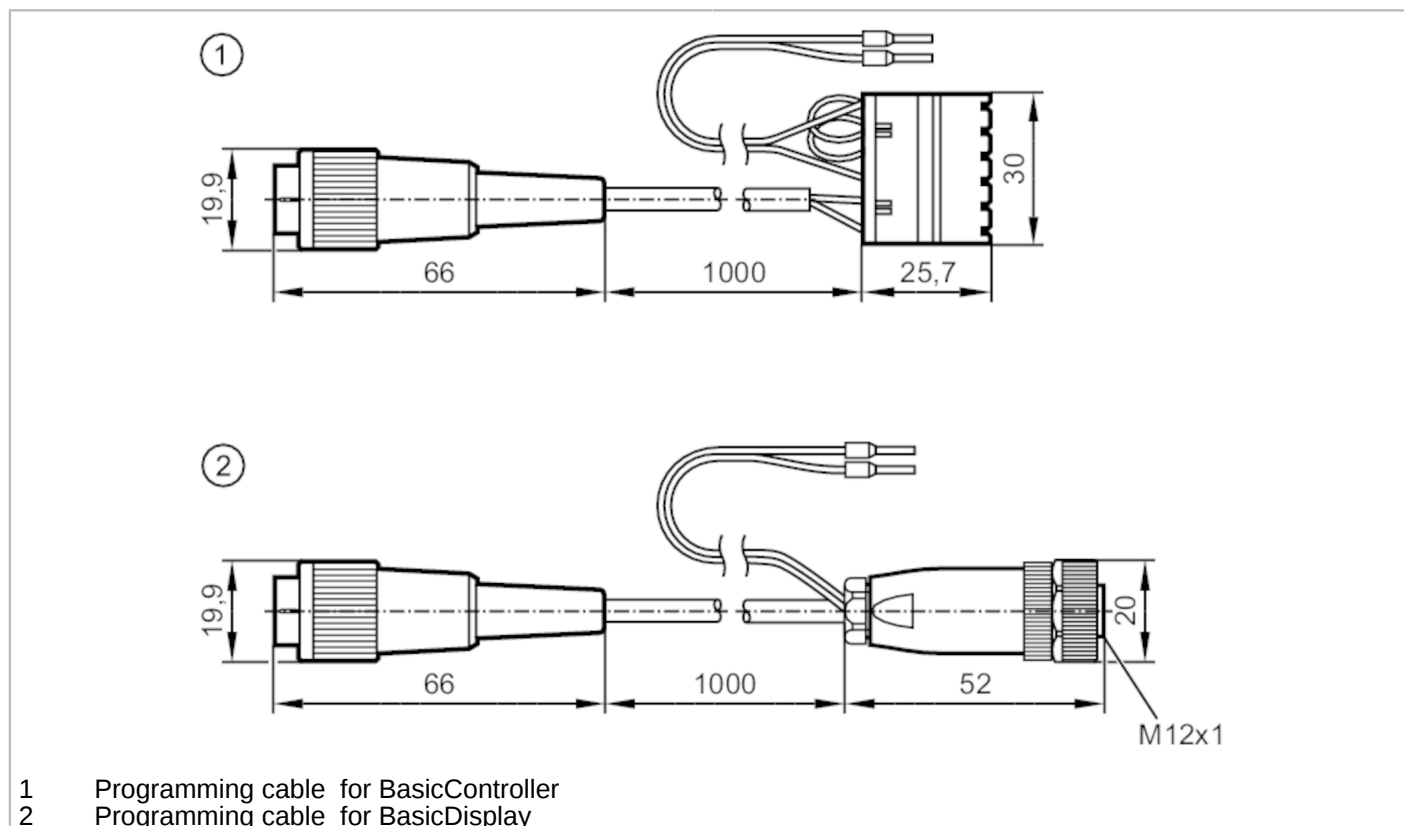


# EC2114



## Programming cable set for CAN interface

R360/CABLE/CANfox-Basic



Application	
Design	for BasicController and BasicDisplay, not suitable for:, CR0431
Mechanical data	
Weight	[g] 144.3
Remarks	
Pack quantity	1 pcs.



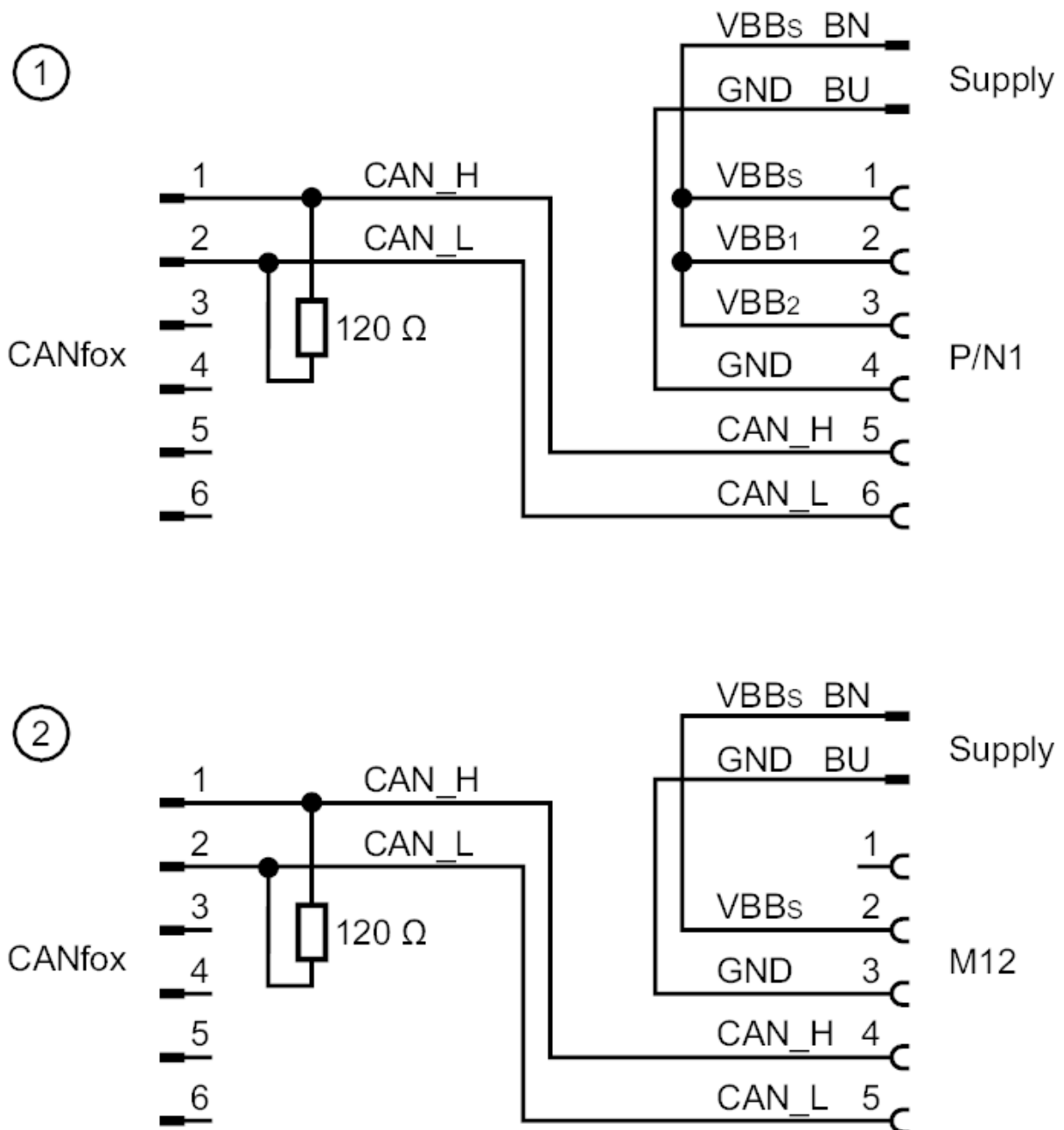
## Programming cable set for CAN interface

R360/CABLE/CANfox-Basic

### Electrical connection

Cable: 1 m, PVC, grey

### Connection



BN brown

BU blue

1 Programming cable for BasicController

2 Programming cable for BasicDisplay

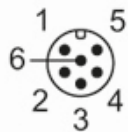
### Electrical connection - BasicController 1

Connector: DIN connector



## Programming cable set for CAN interface

R360/CABLE/CANfox-Basic

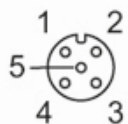


### Electrical connection - BasicController 2

Connector: Standard timer contact housing

### Electrical connection - BasicDisplay 1

Connector: M12



### Electrical connection - BasicDisplay 2

Connector: DIN connector

