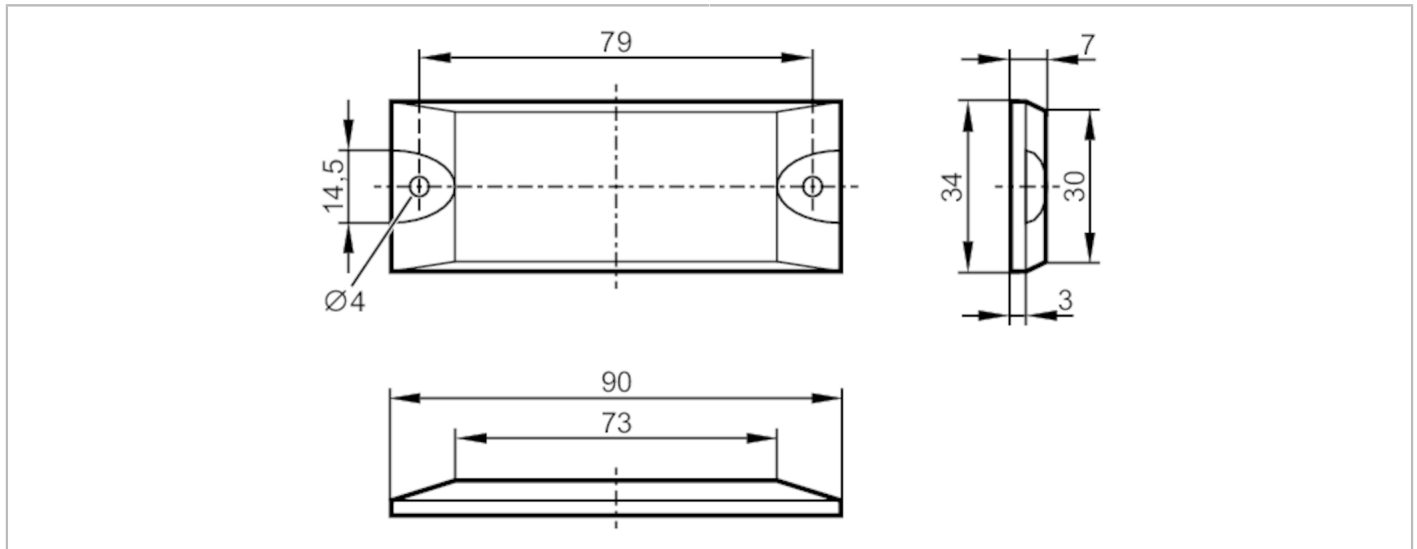


# E80343



## RFID tag

ID-TAG/90X34x7/06



Electrical data		
Operating frequency	[MHz]	13,56
Memory size	[bit]	896
Memory type		EEPROM
Chip type		ICODE SLIX
Number of blocks		28
Block size	[Byte]	4
Unique Identification Number (UID)	[Byte]	8
RFID standard		ISO 15693
Max. read cycles		unlimited
Max. write cycles		100000
Operating conditions		
Ambient temperature	[°C]	-25...85
Storage temperature	[°C]	-40...85
Protection		IP 68
Tests / approvals		
Shock resistance	DIN IEC 68-2-27	40 g 18 ms
Vibration resistance	DIN IEC 68-2-6	10 g 10...2000 Hz
Radio approval		ISO 15693
Mechanical data		
Weight	[g]	118.7
Type of mounting		Installation on metal and non-metal materials; (screw fastening ; sticking to a surface ; In case of installation on metal mount the flat side on the surface)
Materials		ABS
Remarks		
Pack quantity		5 pcs.

# E80343



## RFID tag

ID-TAG/90X34x7/06

### Other data

#### read distance (mm)

ANT410	-
ANT411	5
ANT420 / DTM424 / DTM426	-
ANT421 / DTM425 / DTM427	20
ANT430 / DTM434 / DTM436	15
ANT431 / DTM435 / DTM437	25
ANT513 / DTC510	50
ANT515 / ANT516	20
ANT600	95

#### read distance when mounted on metal (mm)

ANT410	10
ANT411	15
ANT420 / DTM424 / DTM426	5
ANT421 / DTM425 / DTM427	30
ANT430 / DTM434 / DTM436	25
ANT431 / DTM435 / DTM437	40
ANT513 / DTC510	55
ANT515 / ANT516	25