

E11762

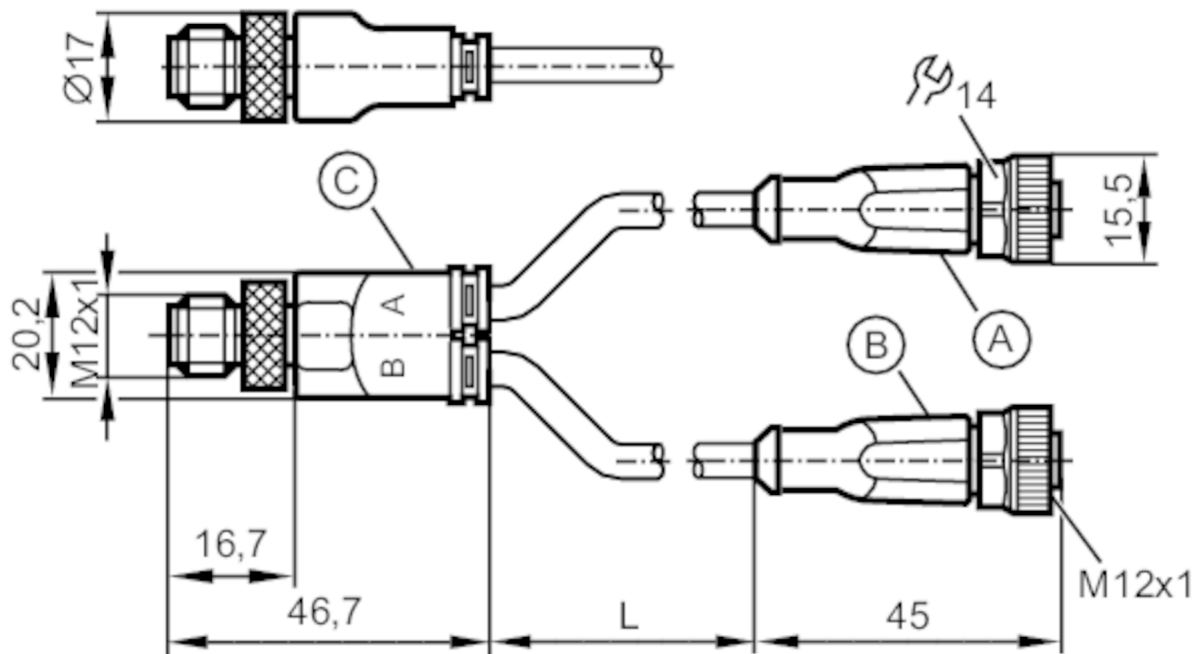


Y connection cable

YDOGH040MSS0001H04STGH050MSS

Article no longer available - archive entry

Alternative article: EVC431 When selecting an alternative article and accessories please note that technical data may differ! – When selecting an alternative article and accessories please note that technical data may differ!



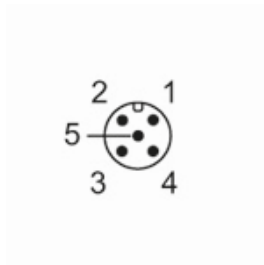
Application	
Special feature	Free from silicone; Halogen-free; Gold-plated contacts
Free from silicone	yes
Electrical data	
Operating voltage [M]	< 250 AC / < 300 DC
Operating conditions	
Ambient temperature [°C]	-25...90
Protection	IP 68
Mechanical data	
Weight [g]	111.5
Materials	connector housing: TPU black; socket housing: TPU orange; Sealing: plastics
Material nut	brass, nickel-plated / brass, nickel-plated
Number of ports splitter box	2
Remarks	
Pack quantity	1 pcs.
Electrical connection	
Cable: 1 m, PUR, Halogen-free, black, Ø 4.9 mm; 5 x 0.34 mm ² (42 x Ø 0.1 mm)	
Electrical connection - plug	
Connector: 2 x M12; Locking: brass, nickel-plated; Contacts: gold-plated	

E11762

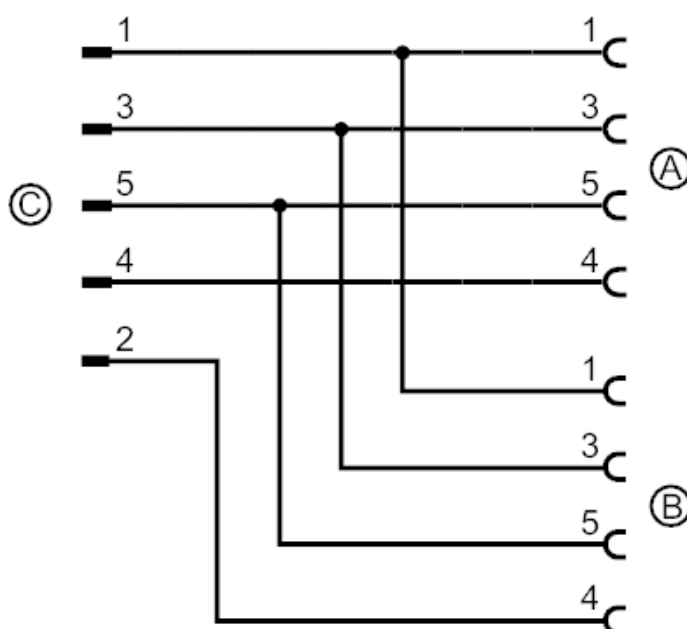


Y connection cable

YDOGH040MSS0001H04STGH050MSS

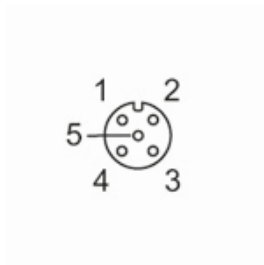


Connection



Electrical connection - socket

Connector: 2 x M12; Locking: brass, nickel-plated; Contacts: gold-plated



Article no longer available - archive entry

Alternative article: EVC431 When selecting an alternative article and accessories please note that technical data may differ! – When selecting an alternative article and accessories please note that technical data may differ!