

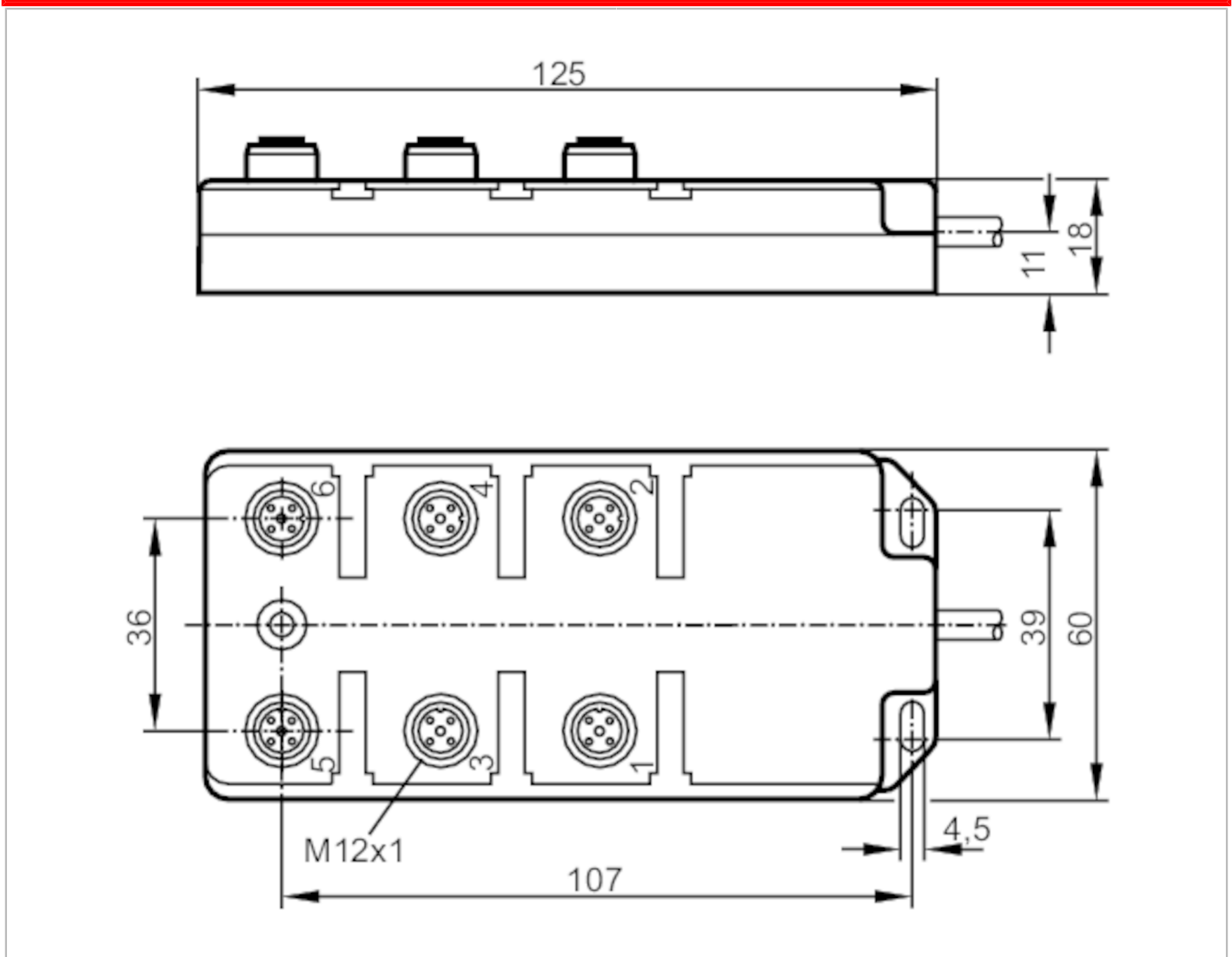
# E11730



## Splitter box

ZDO6H050MSS0010H11

Article no longer available - archive entry



Application	
Special feature	Free from silicone; Halogen-free; Gold-plated contacts
Free from silicone	yes
Electrical data	
Operating voltage [V]	< 60 AC / < 75 DC
Protection class	II
Max. current load per module/slot [A]	4
Max. current load total [A]	12
Operating conditions	
Ambient temperature [°C]	-15...80
Protection	IP 67
Mechanical data	
Materials	TPU
Number of ports splitter box	6
Connector type	M12

# E11730



## Splitter box

ZDO6H050MSS0010H11

### Remarks

Pack quantity

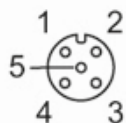
1 pcs.

### Electrical connection

Cable: 10 m, PUR, Halogen-free, black, Ø 10.4 mm; 12 x 0.5 mm<sup>2</sup> (63 x Ø 0.1 mm ) + 3 x 1.0 mm<sup>2</sup> (127 x Ø 0.1 mm )

### Electrical connection - slot

Connector: 6 x M12; Moulded body: TPU; Contacts: gold-plated; Tightening torque: 0.5 Nm



# E11730



## Splitter box

ZDO6H050MSS0010H11

### Connection

<u>BN</u>	1 (1...6)	C
<u>BU</u>	3 (1...6)	C
<u>GN/YE</u>	5 (1...6)	C
<u>GY/PK</u>	2 (1)	C
<u>RD/BU</u>	2 (2)	C
<u>WH/GN</u>	2 (3)	C
<u>BN/GN</u>	2 (4)	C
<u>WH/YE</u>	2 (5)	C
<u>YE/BN</u>	2 (6)	C
<u>WH</u>	4 (1)	C
<u>GN</u>	4 (2)	C
<u>YE</u>	4 (3)	C
<u>GY</u>	4 (4)	C
<u>PK</u>	4 (5)	C
<u>RD</u>	4 (6)	C

#### Core colours :

BN =	brown
BU =	blue
GN =	green
GY =	grey
PK =	pink
RD =	red
WH =	white
YE =	yellow

Article no longer available - archive entry

# E11730

## Splitter box

ZDO6H050MSS0010H11

